

# MAX 6X WATERCOOLED



**X-POWER**  
**WATER PUMPS**

# X-Power project

On the top of our project, there is the custode:

He must be sure to buy a guaranteed product.  
We advise, follow, and assist the customer before and after the sale.

Our dealers share the goal of working offering the best solutions on the market.

X-Power stands for reliability.

We only offer innovative products and reliable, that find wide acceptance in diy stores, in hardware and in heating & plumbing shops.

On the basis of our brand, there is also the support of professional sellers:

Thanks to the experience and expertise of our team, we provide a high service quality!



NOTE:

MAX 6X





**6C water cooled submersible motor**



**efficient  
resistant  
guaranteed  
ecological**

[www.xpowerwaterpumps.com](http://www.xpowerwaterpumps.com)



**Submersible pumps in stainless steel**

**stainless steel**



**[www.xpowerwaterpumps.com](http://www.xpowerwaterpumps.com)**

# 6C water cooled submersible motors

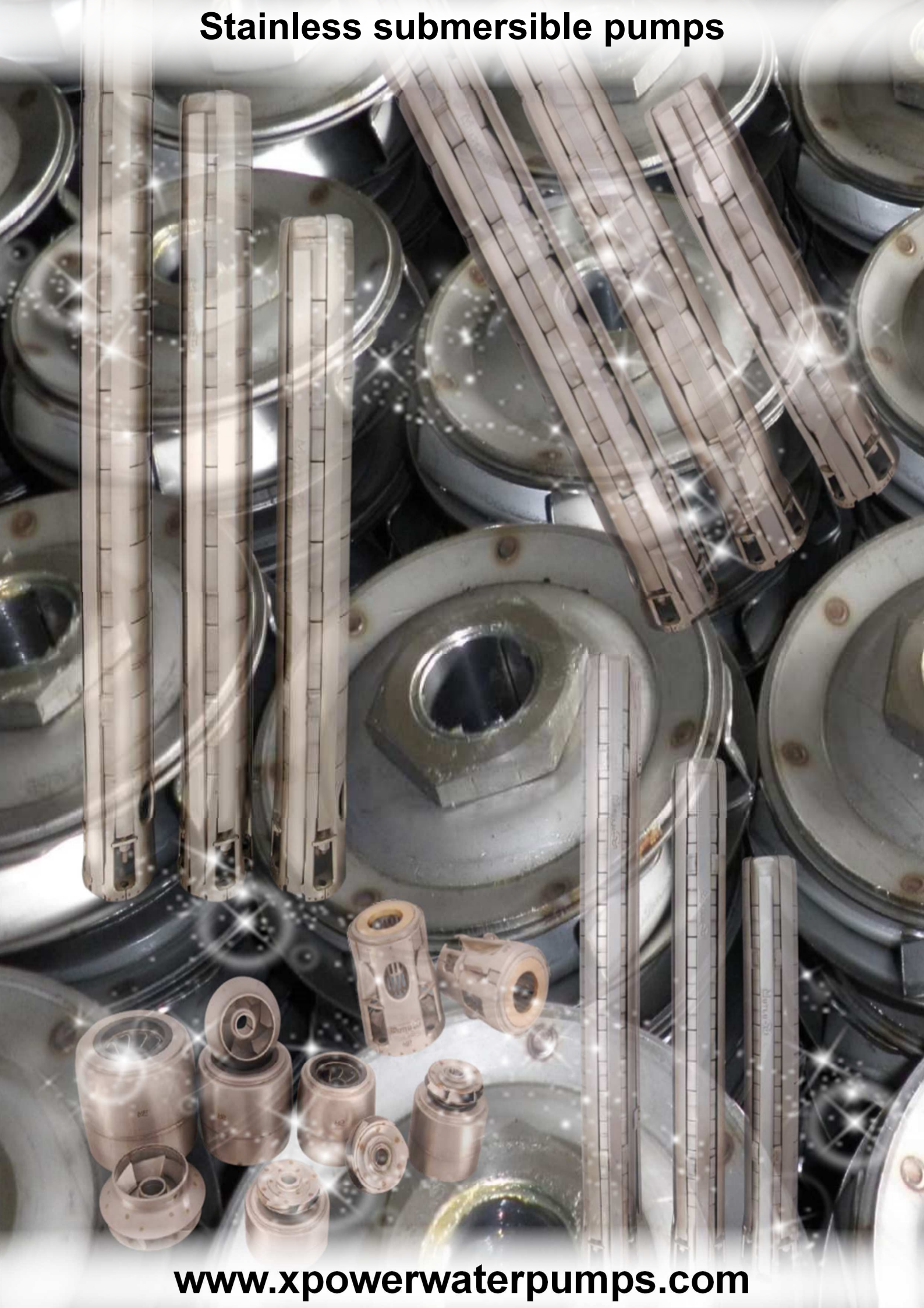
## Advantages

- Retractable motor
- Hygiene
- High resistance
- Easy maintenance
- High durability
- Stainless steel





# Stainless submersible pumps



[www.xpowerwaterpumps.com](http://www.xpowerwaterpumps.com)



# X-Power MAX 6X submersible pumps

## Description

The X-Power Max 6X submersible pumps are technically advanced products. The use of the best materials, the construction techniques and the strict testing, guarantee the realization of an electric pump suitable for heavy use.

The X-power MAX 6X Watercooled submersible pumps are used for pumping water from wells. Thanks to their characteristics, these submersible pumps are widely used in aqueducts, and agricultural or industrial applications. They are also ideal in many other sectors where it is necessary to guarantee maximum operating reliability.

Their construction allows easy maintenance, thanks also to the mounting system with opposing impellers.

The reinforced thrust system of the motor, and the use of self-water lubricating components, and that of the chrome bushes, allow the use H24.

The union of the MAX 6X submersible pump and the 6C submersible motor guarantees high resistance to stray currents. Moreover, with this union it is possible to install under a head of water up to 150 meters.

The 6C watercooled x-power submersible motors are environmentally friendly and characterized by high durability and electrical resistance. Unlike oil-cooled motors, water cooled motors do not require the use of substances harmful to the environment.

Designed to work in continuous service (24 hours a day), they maintain unaltered the efficiency, performance, and durability.

The operating characteristics are guaranteed according to the ISO9906 Upgrade two regulations.



## Detail of the suction

# X-Power MAX 6X submersible pumps

## Advantages of the range

### Ecological

(water cooled electric motor)

### Working H24

Designed to work 24 hours a day (365 days a year)

### Resistant

(anti-wear chrome bush)

### Anti-sand

(max 200 g/cu.m. of sand, equally distributed)

### Efficient

(high efficiency electric motor)

### Guaranteed

(3-year warranty on the hydraulics)

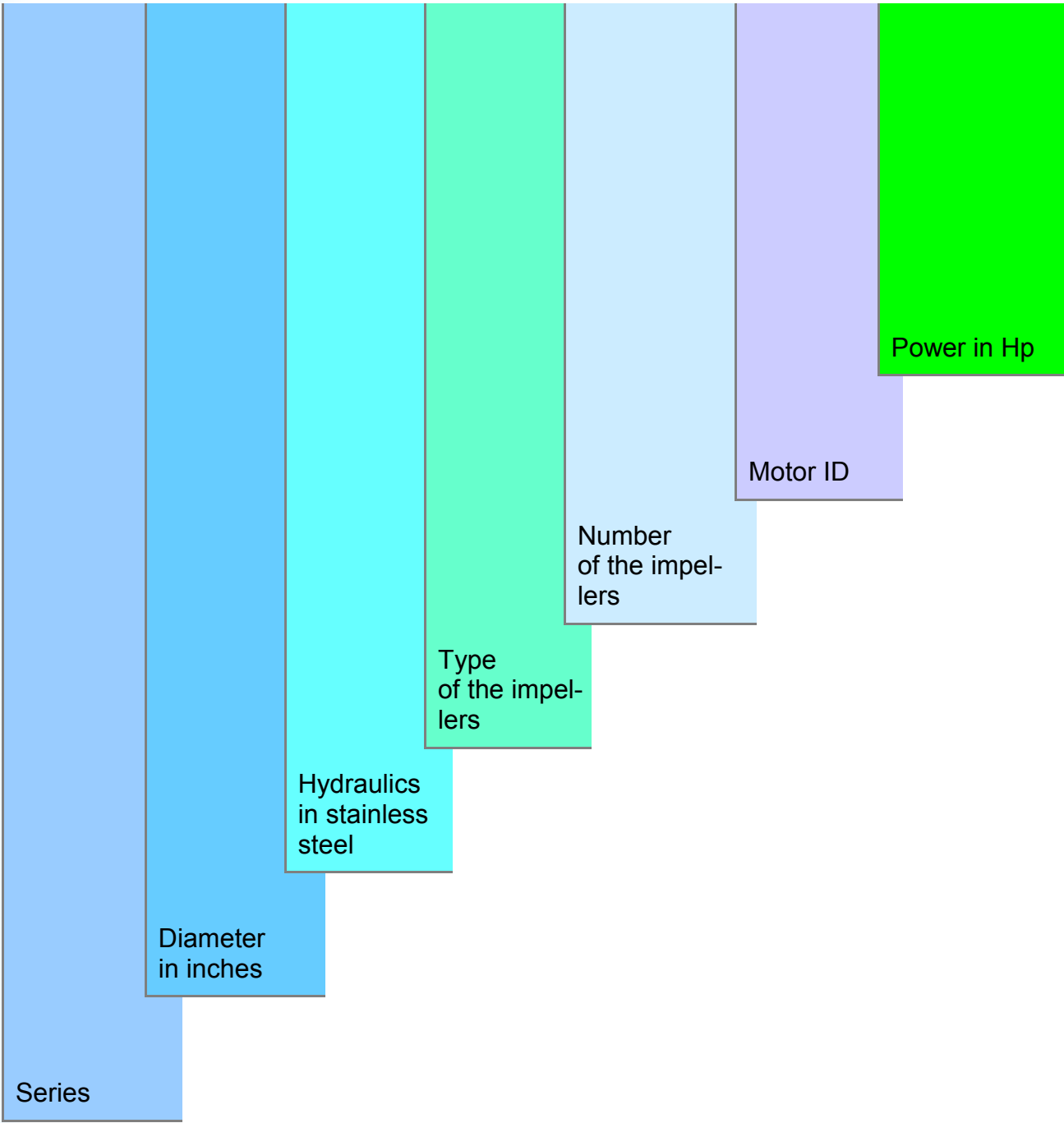


# X-Power MAX 6X submersible pumps

## Nomenclature

### Complete nomenclature of the submersible pump

PUMP						MOTOR	
MAX	6	X	42	11	+	6C	5,5





# X-Power MAX 6X submersible pumps

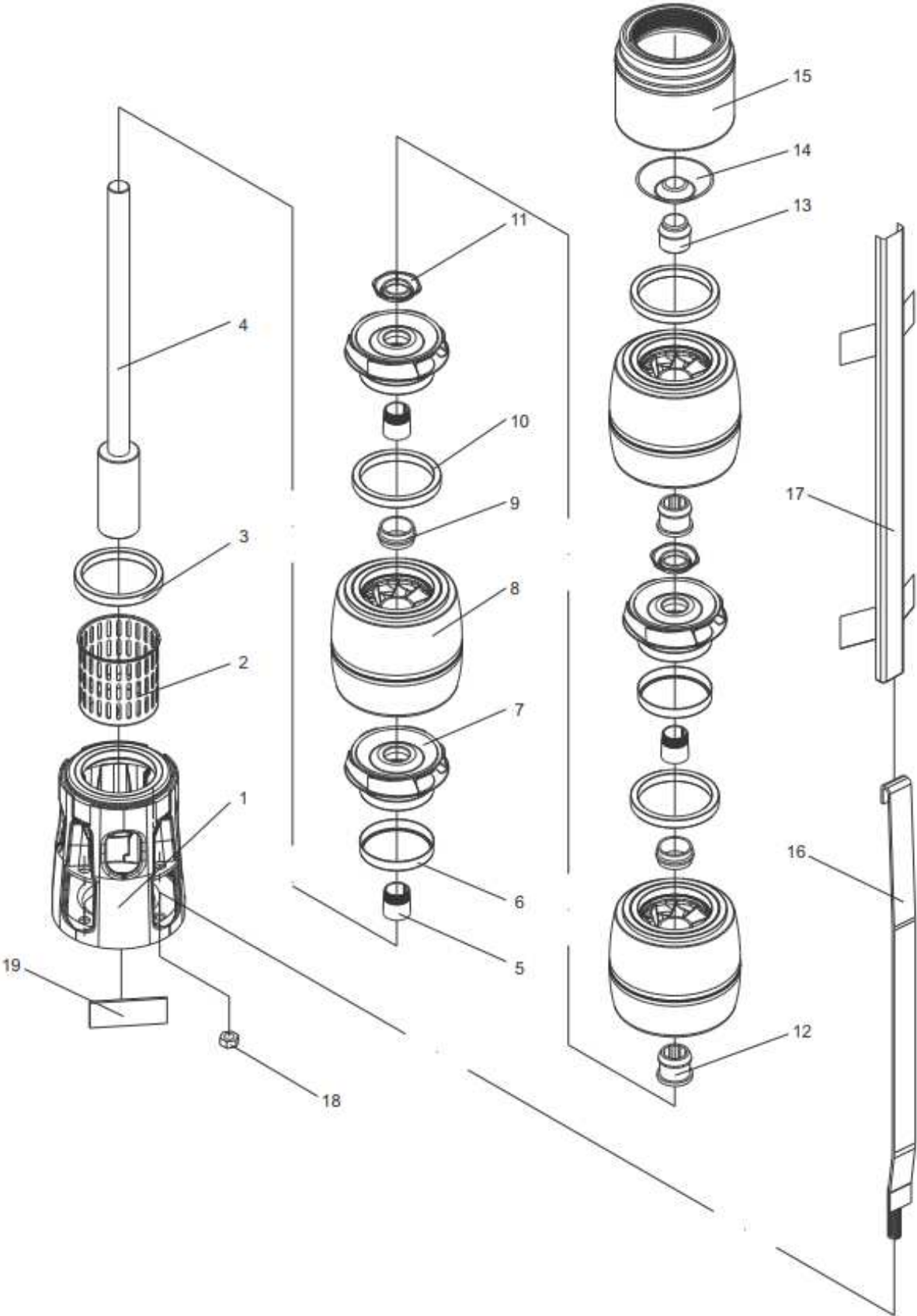


## Possible applications

Applications	
	Aqueducts
	Industry
	Agriculture
	Floriculture
	Food service
	Hospital
	Car washing
	Chemical industry
	Extractive sector
	Fire prevention system

# X-Power MAX 6X submersible pumps

## Hydraulics exploded view



# X-Power MAX 6X submersible pumps

## Legend

N°	description	material
1	Suction support	AISI 304 SS stainless steel
2	Filter	AISI 304 SS stainless steel
3	Lower closing ring	AISI 304 SS stainless steel
4	Shaft	AISI 420 SS stainless steel
5	Collar	AISI 304 SS stainless steel
6	Impeller ring	AISI 304 SS stainless steel
7	Impeller	AISI 304 SS stainless steel
8	Diffusor	AISI 304 SS stainless steel
9	Bush	Rubber
10	Diffusor ring	Rubber
11	Locknut	AISI 304 SS stainless steel
12	Gasket	Rubber
13	Centering bush	Bronze (ASTM B145)
14	Non return valve	AISI 304 SS stainless steel
15	Delivery support	AISI 304 SS stainless steel
16	Tie	AISI 304 SS stainless steel
17	Cable cover	AISI 304 SS stainless steel
18	Tie nut	AISI 304 SS stainless steel
19	Label	PVC

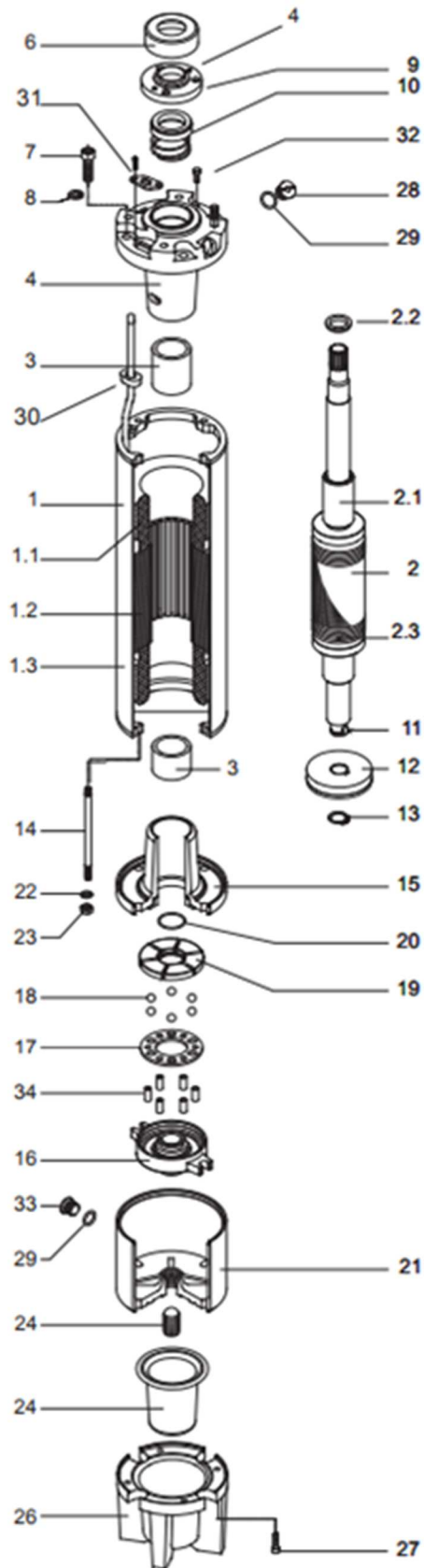
# MAX X





# 6C watercooled submersible motor

## Motor exploded view



# 6C watercooled submersible motor

## Legend

N°	Description	Materials
1	Stator	-
1.1	Cable of coil	PVC-PP
1.2	Stator pack	M350 Ferromagnetic
1.3	Stator cover	AISI 304 stainless steel
2	Rotor	-
2.1	Stator bush	ST37 (Cr-Ni)
2.2	Balancing ring	ST37
2.3	Ring	Copper
3	Radial bush	Coal
4	Support	GG20 spheroidal cast iron
5	Bush	Bronze
6	Cover against sand	Bronze
7	Hexagon head screw	NBR/EPDM
8	Ring	Copper
9	Hermetic lid	AISI 420 stainless steel
10	Seal	Ceramics / coal
11	Axial shaft seal	AISI 420 stainless steel
12	Axial seal	Coal /antimony
13	Sealing ring	ST37
14	Threaded rod	AISI 304 stainless steel
15	Lower support body	GG20 Spheroidal cast iron
16	Support	GG20 Spheroidal cast iron
17	Thrust	ST37 coated with chrome
18	Sphere	Treated stainless steel
19	Skids	AISI 420 stainless steel
20	O-Ring	NBR 70
21	Support	GG20 Spheroidal cast iron
22	Ring	Copper
23	Nut	AISI 316 stainless steel
24	Screw	AISI 316 stainless steel
25	Gasket	NBR/EPDM
26	Gasket seal	GG20 Spheroidal cast iron
27	Hexagonal socket	AISI 304 stainless steel
28	Valve	Bronze
29	O-Ring	NBR 70
30	Cable gland	NBR
31	Hermetic lid	AISI 304 stainless steel
32	Nut	AISI 316 stainless steel
33	3/8" screw	Bronze
34	Sphere	Treated stainless steel

# 6C



# 6C watercooled submersible motors

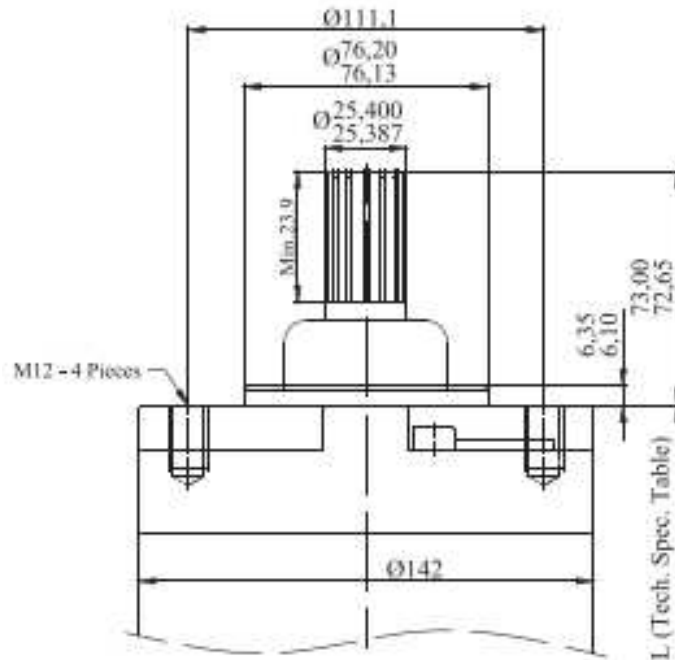
## Motor components

Image	Description
	Heavy duty bearings have a high pushing capacity and offer the possibility to rotate on both sides. They have an higher thrust-load capacity.
	The radial bearings in carbon thanks to their channels allow a perfect lubrication and a better sliding on the axis.
	The chromed bushings for bearings have a great importance in supporting rotor thrust.
	The anti-sand resistant mechanical seal system provides the protection class of IP68; This optional system is used to prevent the motor from sand and other solids, and therefore it guarantees a long service life to the bearings.
	The control valve balances pressure changes within the motor. When the pressure increases, it pushes the water out of the motor. When the pressure decreases, it filters the water inside and makes it enter the motor.
	The power cord is easy to assemble and remove. The connection of the power cable to the motor is made by the cable gasket and the seal cover.
	The slinger (or para sand) is the first protection of the motor from sand. It helps prevent sand from entering the mechanical seal inside the motor.
	Thanks to the adjustment screws, the height of the shaft can be precisely adjusted from the base of the thrust bearing.
	The bronze rings provide better operating conditions for the motor. They absorb the Up-Thrust loads thanks to their design and to the channels designed to make the water flow smoothly.
	The membrane gasket minimizes expansion pressure caused by heating of the cooling water inside the motor.

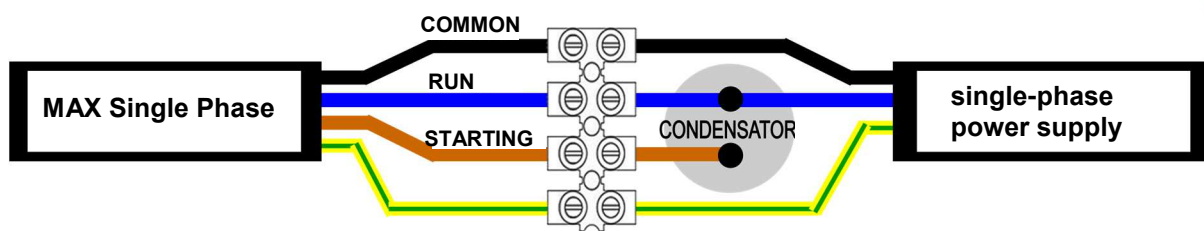


# 6C watercooled submersible motors

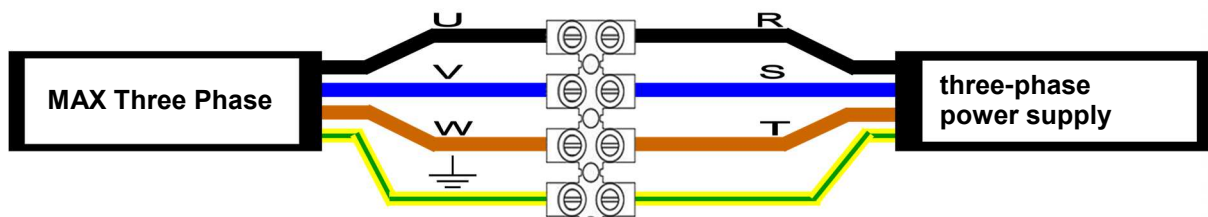
## Standard sizes of 6 "motors

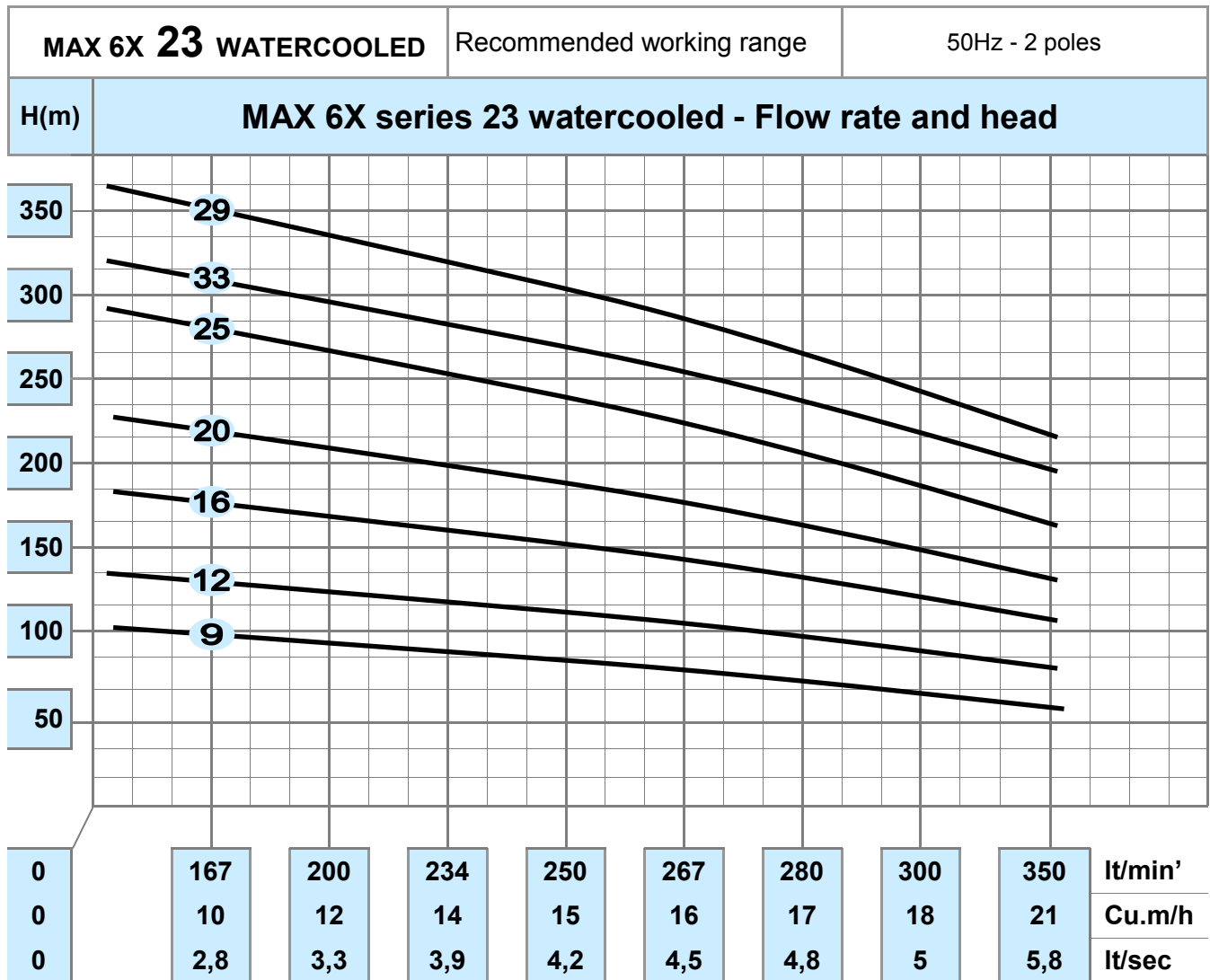


## Electrical connection of single-phase pumps



## Electrical connection of three-phase pumps





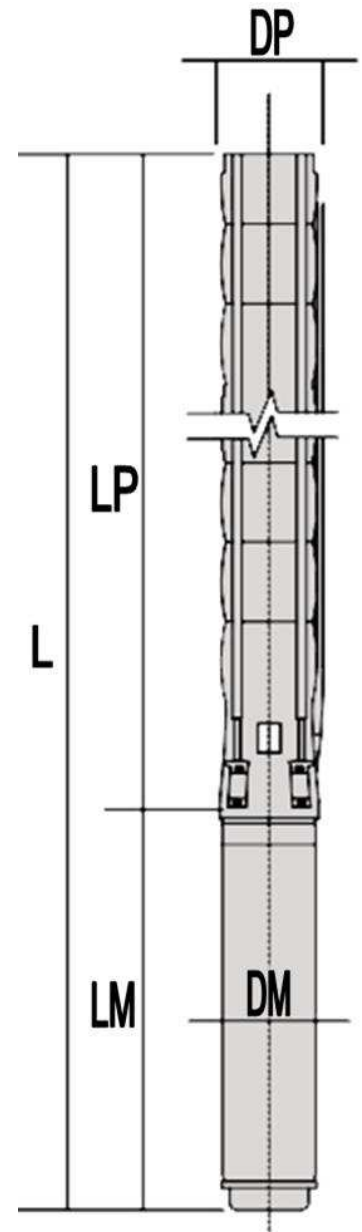
MAX6X		Flow rate and head - series 23										watercooled	
Model	Hp	L/min'	0	167	200	234	250	267	280	300	350		
		Cu.m/h	0	10	12	14	15	16	17	18	21		
MAX 6X 23/09	5,5	H (m)	102	94	90	84	81	77	73	68	59		
MAX 6X 23/12	7,5		135	127	120	113	109	104	98	92	79		
MAX 6X 23/16	10		180	168	160	150	144	138	131	123	106		
MAX 6X 23/20	12,5		224	210	200	187	180	172	163	154	132		
MAX 6X 23/25	15		281	264	251	236	226	216	205	193	168		
MAX 6X 23/29	17,5		326	306	293	274	263	252	239	227	195		
MAX 6X 23/33	20		370	347	329	310	298	284	269	254	220		

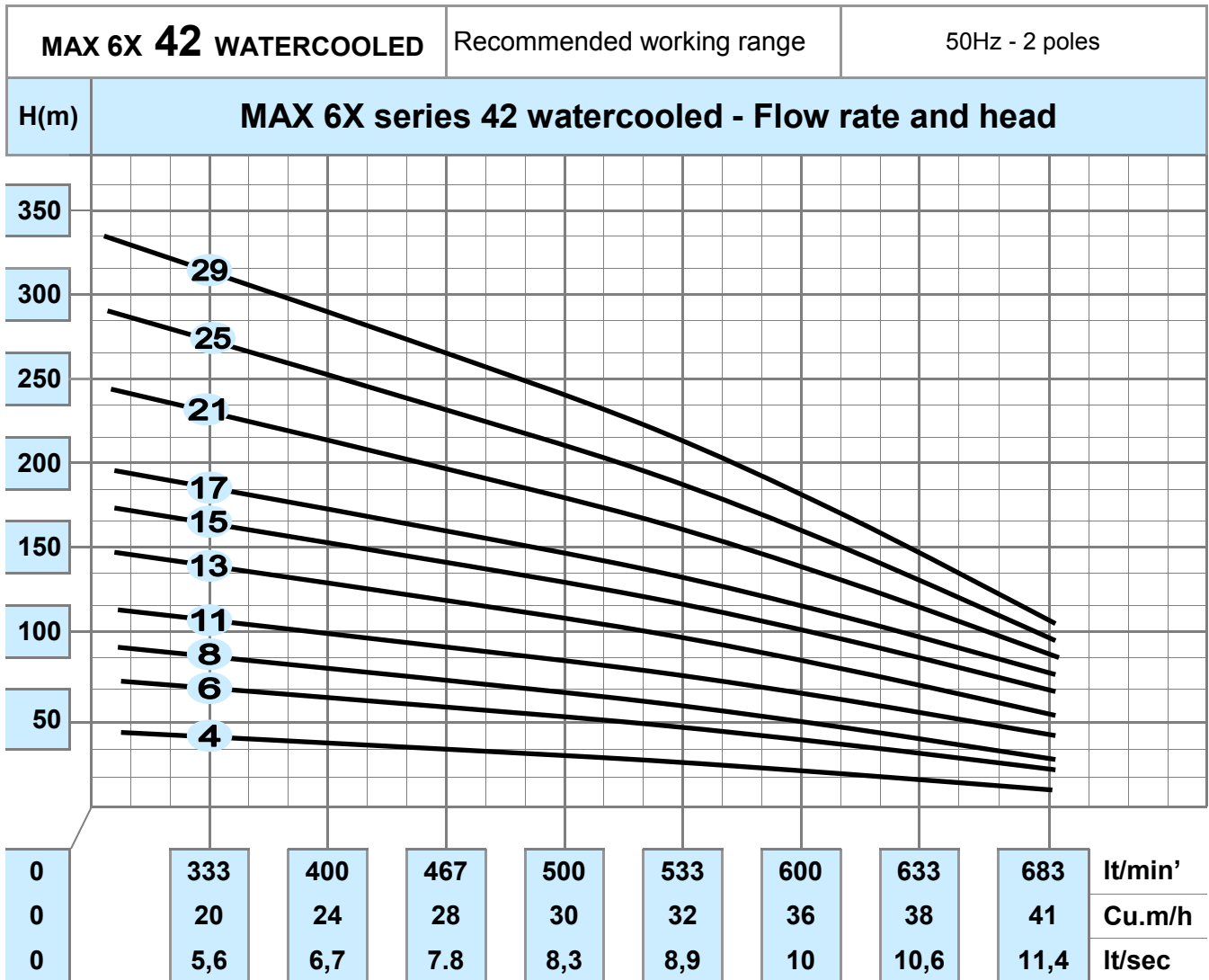
MAX6X		Characteristics of the series 23				watercooled	
Model	Impeller num	Volts	Rpm	Power		Ampere Max (A)	
				kW	Hp		
MAX 6X 23/09 + 6C 5,5 HP	9		2820	4,00	5,50	10,5	
MAX 6X 23/12 + 6C 7,5 HP	12		2822	5,50	7,50	14,4	
MAX 6X 23/16 + 6C 10 HP	16		2845	7,50	10,00	19,6	
MAX 6X 23/20 + 6C 12,5 HP	20	400Vac	2860	9,20	12,50	23,9	
MAX 6X 23/25 + 6C 15 HP	25		2830	11,00	15,00	28,6	
MAX 6X 23/29 + 6C 17,5 HP	29		2820	13,00	17,50	30,4	
MAX 6X 23/33 + 6C 20 HP	33		2790	15,00	20,00	33,8	

# SERIE 23

MAX6X		Dimensions - series 23				watercooled	
Model	DN (mm)	LM (mm)	LP (mm)	L (mm)	DM (mm)	DP (mm)	
MAX 6X 23/09 + 6C 5,5 HP		655	970	1625			
MAX 6X 23/12 + 6C 7,5 HP		675	1150	1825			
MAX 6X 23/16 + 6C 10 HP		695	1530	2225			
MAX 6X 23/20 + 6C 12,5 HP	2"1/2	735	1850	2585	137	142	
MAX 6X 23/25 + 6C 15 HP		775	2250	3025			
MAX 6X 23/29 + 6C 17,5 HP		825	2570	3395			
MAX 6X 23/33 + 6C 20 HP		895	2870	3765			

MAX6X		Weights - series 23		watercooled
Model	Pump Kg	Motor Kg	Electric Pump Kg	
MAX 6X 23/09 + 6C 5,5 HP	14,7	36	50,7	
MAX 6X 23/12 + 6C 7,5 HP	18,6	38	56,6	
MAX 6X 23/16 + 6C 10 HP	23,8	40	63,8	
MAX 6X 23/20 + 6C 12,5 HP	29,1	44	73,1	
MAX 6X 23/25 + 6C 15 HP	35,5	47	82,5	
MAX 6X 23/29 + 6C 17,5 HP	40,7	52	92,7	
MAX 6X 23/33 + 6C 20 HP	45,9	59	104,9	





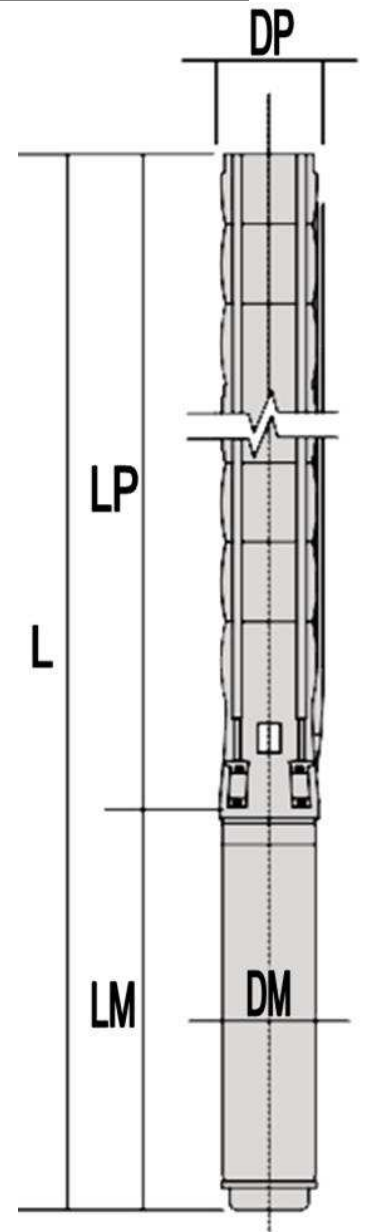
MAX6X		Flow rate and head - series 42										watercooled
Model	Hp	L/min'	0	333	400	467	500	533	600	633	683	
		Cu.m/h	0	20	24	28	30	32	36	38	41	
MAX 6X 42/04	5,5	H (m)	46	38	35	32	30	27	22	18	12	
MAX 6X 42/06	7,5		69	57	53	48	46	42	33	28	20	
MAX 6X 42/08	10		92	76	72	65	61	56	44	38	30	
MAX 6X 42/11	12,5		126	105	98	88	84	76	62	52	45	
MAX 6X 42/13	15		149	125	116	106	99	91	73	63	55	
MAX 6X 42/15	17,5		172	144	135	123	115	106	86	71	65	
MAX 6X 42/17	20		196	164	153	139	132	121	97	83	75	
MAX 6X 42/21	25		241	202	190	173	163	150	121	105	85	
MAX 6X 42/25	30		287	241	226	207	195	180	144	123	95	
MAX 6X 42/29	35		334	280	263	240	226	209	168	144	105	

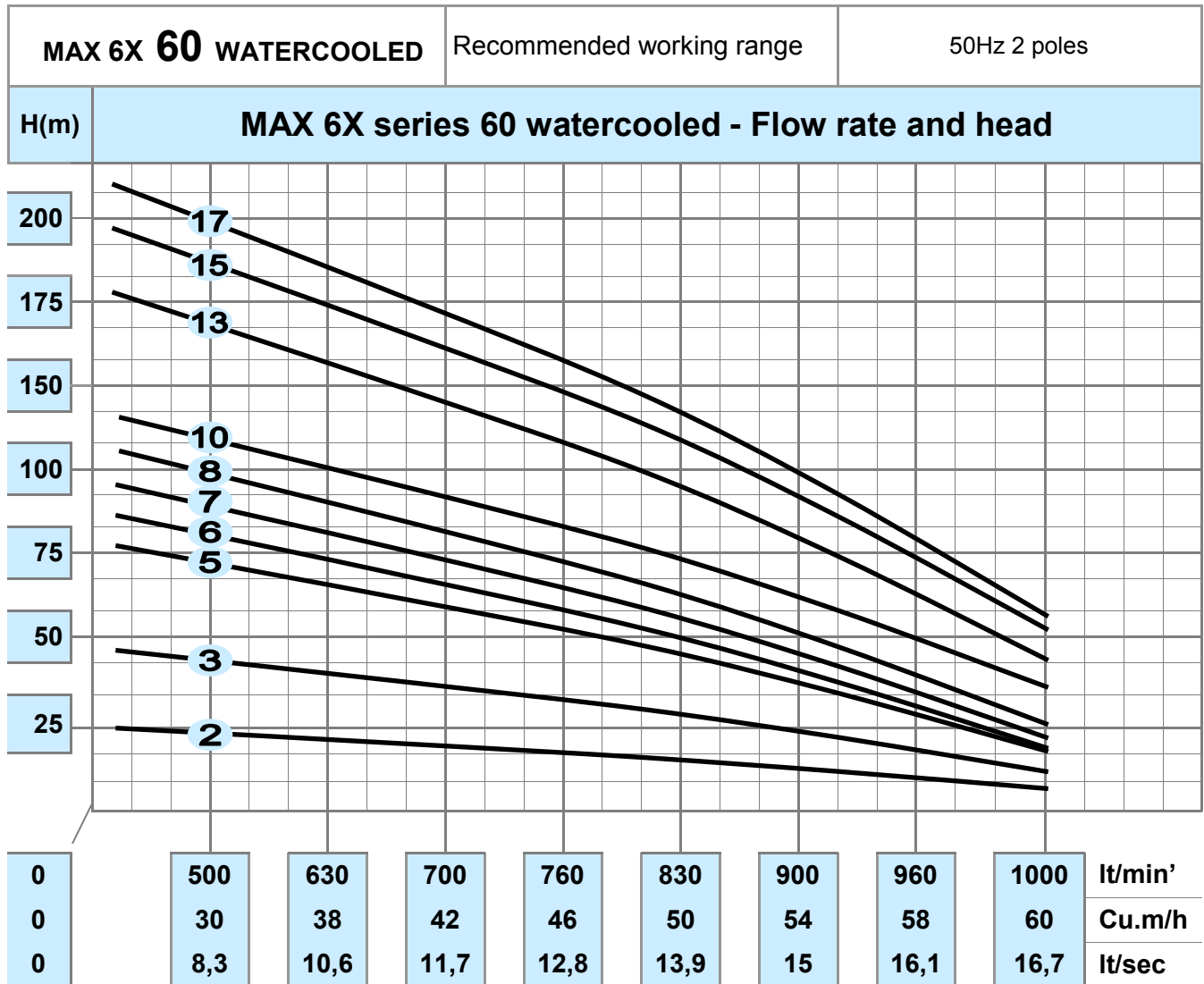


MAX6X		Characteristics of the series 42				watercooled	
Model	Impeller num	Volts	Rpm	Power		Ampere Max (A)	
				kW	Hp		
MAX 6X 42/04 + 6C 5,5 HP	4	400Vac	2820	4,00	5,50	10,5	
MAX 6X 42/06 + 6C 7,5 HP	6		2822	5,50	7,50	14,4	
MAX 6X 42/08 + 6C 10 HP	8		2845	7,50	10,00	19,6	
MAX 6X 42/11 + 6C 12,5 HP	11		2860	9,20	12,50	23,9	
MAX 6X 42/13 + 6C 15 HP	13		2830	11,00	15,00	28,6	
MAX 6X 42/15 + 6C 17,5 HP	15		2820	13,00	17,50	30,4	
MAX 6X 42/17 + 6C 20 HP	17		2790	15,00	20,00	33,8	
MAX 6X 42/21 + 6C 25 HP	21		2825	17,50	25,00	42,9	
MAX 6X 42/25 + 6C 30 HP	25		2805	22,00	30,00	50,6	
MAX 6X 42/29 + 6C 35 HP	29		2790	25,00	35,00	61,2	

MAX6X		Dimensions - series 42				watercooled	
Model	DN (mm)	LM (mm)	LP (mm)	L (mm)	DM (mm)	DP (mm)	
							MAX 6X 42/04 + 6C 5,5 HP
MAX 6X 42/06 + 6C 7,5 HP	675	852	1527				
MAX 6X 42/08 + 6C 10 HP	695	1050	1745				
MAX 6X 42/11 + 6C 12,5 HP	735	1350	2085				
MAX 6X 42/13 + 6C 15 HP	775	1550	2325				
MAX 6X 42/15 + 6C 17,5 HP	825	1850	2675				
MAX 6X 42/17 + 6C 20 HP	895	1950	2845				
MAX 6X 42/21 + 6C 25 HP	950	2350	3300				
MAX 6X 42/25 + 6C 30 HP	1025	2750	3775				
MAX 6X 42/29 + 6C 35 HP	1075	3150	4225				

MAX6X		Weights - series 42		watercooled
Model	Pump Kg	Motor Kg	Electric Pump Kg	
			MAX 6X 42/04 + 6C 5,5 HP	9,2
MAX 6X 42/06 + 6C 7,5 HP	10,8	38	48,8	
MAX 6X 42/08 + 6C 10 HP	13,4	40	53,4	
MAX 6X 42/11 + 6C 12,5 HP	17,3	44	61,3	
MAX 6X 42/13 + 6C 15 HP	19,9	47	66,9	
MAX 6X 42/15 + 6C 17,5 HP	22,5	52	74,5	
MAX 6X 42/17 + 6C 20 HP	25,1	59	84,1	
MAX 6X 42/21 + 6C 25 HP	30,3	64	94,3	
MAX 6X 42/25 + 6C 30 HP	35,5	76	101,5	
MAX 6X 42/29 + 6C 35 HP	40,7	80	120,7	



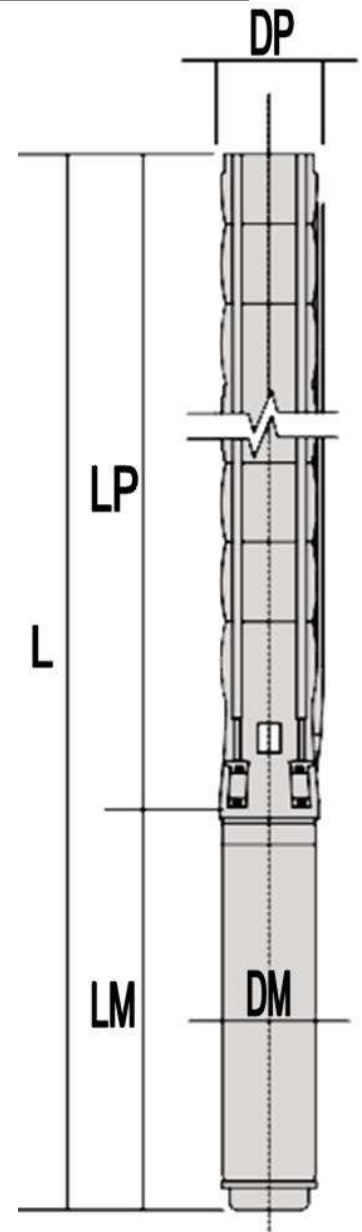


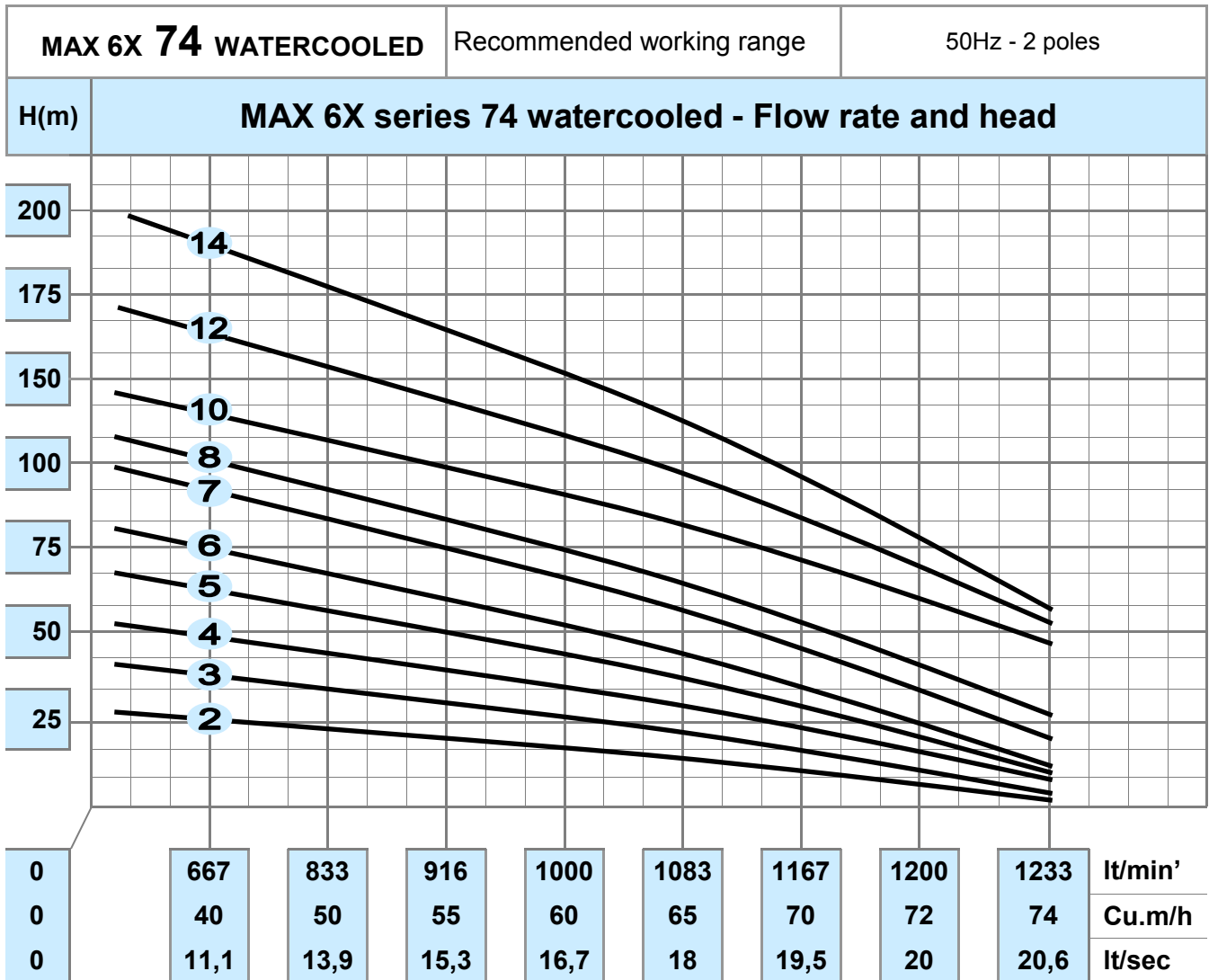
MAX6X		Flow rate and head - series 60									watercooled
Model	Hp	L/min'	0	500	630	700	760	830	900	960	1000
		Cu.m/h	0	30	38	42	46	50	54	58	60
MAX 6X 60/02	5,5	H (m)	26	21	19	18	16	14	12	10	2
MAX 6X 60/03	7,5		40	33	29	27	25	23	20	17	10
MAX 6X 60/05	10		67	54	49	46	43	39	34	28	17
MAX 6X 60/06	12,5		80	66	59	56	51	47	41	34	20
MAX 6X 60/07	15		93	77	70	65	60	55	48	41	22
MAX 6X 60/08	17,5		107	88	80	75	69	63	56	47	24
MAX 6X 60/10	20		133	110	100	94	86	79	69	59	32
MAX 6X 60/13	25		174	144	132	124	115	104	92	77	40
MAX 6X 60/15	30		199	166	150	142	131	119	105	88	50
MAX 6X 60/17	35		226	189	171	161	149	135	120	102	55

MAX6X		Characteristics of the series 60				watercooled	
Model	Impeller num	Volts	Rpm	Power		Ampere Max (A)	
				kW	Hp		
MAX 6X 60/02 + 6C 5,5 HP	2	400Vac	2820	4,00	5,50	10,5	
MAX 6X 60/03 + 6C 7,5 HP	3		2822	5,50	7,50	14,4	
MAX 6X 60/05 + 6C 10 HP	5		2845	7,50	10,00	19,6	
MAX 6X 60/06 + 6C 12,5 HP	6		2860	9,20	12,50	23,9	
MAX 6X 60/07 + 6C 15 HP	7		2830	11,00	15,00	28,6	
MAX 6X 60/08 + 6C 17,5 HP	8		2820	13,00	17,50	30,4	
MAX 6X 60/10 + 6C 20 HP	10		2790	15,00	20,00	33,8	
MAX 6X 60/13 + 6C 25 HP	13		2825	17,50	25,00	42,9	
MAX 6X 60/15 + 6C 30 HP	15		2805	22,00	30,00	50,6	
MAX 6X 60/17 + 6C 35 HP	17		2790	25,00	35,00	61,2	

MAX6X		Dimensions - series 60				watercooled	
Model	DN (mm)	LM (mm)	LP (mm)	L (mm)	DM (mm)	DP (mm)	
MAX 6X 60/02 + 6C 5,5 HP	3"	655	470	1125	137	142	
MAX 6X 60/03 + 6C 7,5 HP		675	550	1225			
MAX 6X 60/05 + 6C 10 HP		695	750	1445			
MAX 6X 60/06 + 6C 12,5 HP		735	850	1585			
MAX 6X 60/07 + 6C 15 HP		775	950	1725			
MAX 6X 60/08 + 6C 17,5 HP		825	1050	1875			
MAX 6X 60/10 + 6C 20 HP		895	1250	2145			
MAX 6X 60/13 + 6C 25 HP		950	1550	2500			
MAX 6X 60/15 + 6C 30 HP		1025	1750	2775			
MAX 6X 60/17 + 6C 35 HP		1075	1950	3025			

MAX6X		Weights - series 60		watercooled
Model	Pump Kg	Motor Kg	Electric Pump Kg	
MAX 6X 60/02 + 6C 5,5 HP	6,6	36	42,6	
MAX 6X 60/03 + 6C 7,5 HP	8,1	38	46,1	
MAX 6X 60/05 + 6C 10 HP	10,5	40	50,5	
MAX 6X 60/06 + 6C 12,5 HP	11,8	44	55,8	
MAX 6X 60/07 + 6C 15 HP	13,1	47	60,1	
MAX 6X 60/08 + 6C 17,5 HP	14,4	52	66,4	
MAX 6X 60/10 + 6C 20 HP	17,1	59	76,1	
MAX 6X 60/13 + 6C 25 HP	20,9	64	84,9	
MAX 6X 60/15 + 6C 30 HP	23,5	76	99,5	
MAX 6X 60/17 + 6C 35 HP	26,1	80	106,1	



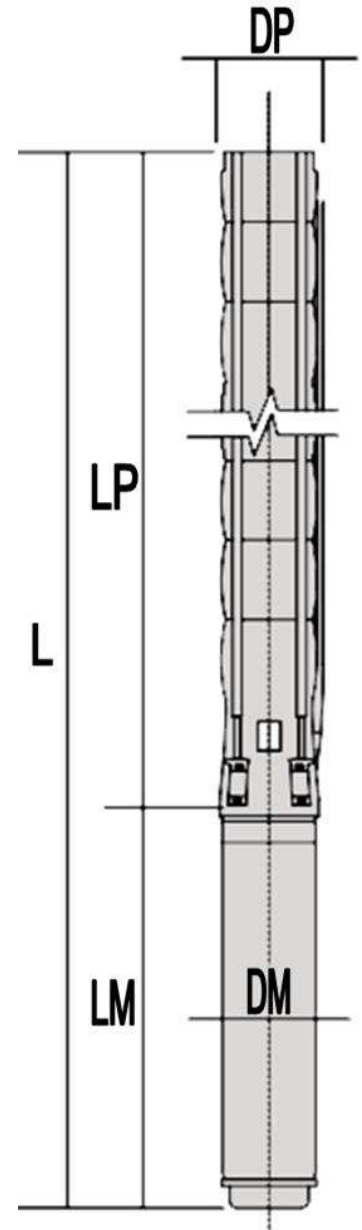


MAX6X		Flow rate and head - series 74										watercooled
Model	Hp	L/min'	0	667	833	916	1000	1083	1167	1200	1233	
		Cu.m/h	0	40	50	55	60	65	70	72	74	
MAX 6X 74/02	5,5	H (m)	27	19	17	16	14	12	10	5	3	
MAX 6X 74/03	7,5		41	30	26	24	22	19	16	8	5	
MAX 6X 74/04	10		55	41	36	33	30	26	23	12	9	
MAX 6X 74/05	12,5		70	52	45	42	38	34	29	15	12	
MAX 6X 74/06	15		84	62	55	51	46	41	35	20	15	
MAX 6X 74/07	17,5		99	74	64	59	54	48	41	25	20	
MAX 6X 74/08	20		114	85	74	69	63	56	47	30	25	
MAX 6X 74/10	25		143	107	93	86	79	71	61	45	40	
MAX 6X 74/12	30		171	128	112	103	95	85	73	55	50	
MAX 6X 74/14	35		199	150	131	122	112	99	86	60	55	

MAX6X		Characteristics of the series 74				watercooled	
Model	Impeller num	Volts	Rpm	Power		Ampere Max (A)	
				kW	Hp		
MAX 6X 74/02 + 6C 5,5 HP	2	400Vac	2820	4,00	5,50	10,5	
MAX 6X 74/03 + 6C 7,5 HP	3		2820	5,50	7,50	14,4	
MAX 6X 74/04 + 6C 10 HP	4		2822	7,50	10,00	19,6	
MAX 6X 74/05 + 6C 12,5 HP	5		2845	9,20	12,50	23,9	
MAX 6X 74/06 + 6C 15 HP	6		2860	11,00	15,00	28,6	
MAX 6X 74/07 + 6C 17,5 HP	7		2830	13,00	17,50	30,4	
MAX 6X 74/08 + 6C 20 HP	8		2820	15,00	20,00	33,8	
MAX 6X 74/10 + 6C 25 HP	10		2790	17,50	25,00	42,9	
MAX 6X 74/12 + 6C 30 HP	12		2825	22,00	30,00	50,6	
MAX 6X 74/14 + 6C 35 HP	14		2805	25,00	35,00	61,2	

MAX6X		Dimensions - series 74				watercooled	
Model	DN (mm)	LM (mm)	LP (mm)	L (mm)	DM (mm)	DP (mm)	
MAX 6X 74/02 + 6C 5,5 HP	3"	655	520	1175	137	142	
MAX 6X 74/03 + 6C 7,5 HP		675	620	1295			
MAX 6X 74/04 + 6C 10 HP		695	720	1320			
MAX 6X 74/05 + 6C 12,5 HP		735	820	1555			
MAX 6X 74/06 + 6C 15 HP		775	920	1685			
MAX 6X 74/07 + 6C 17,5 HP		825	1020	1845			
MAX 6X 74/08 + 6C 20 HP		895	1120	2015			
MAX 6X 74/10 + 6C 25 HP		950	1320	2270			
MAX 6X 74/12 + 6C 30 HP		1025	1520	2545			
MAX 6X 74/14 + 6C 35 HP		1075	1720	2795			

MAX6X		Weights - series 74		watercooled
Model	Pump Kg	Motor Kg	Electric Pump Kg	
MAX 6X 74/02 + 6C 5,5 HP	6,6	36	42,6	
MAX 6X 74/03 + 6C 7,5 HP	8,1	38	46,1	
MAX 6X 74/04 + 6C 10 HP	10,5	40	50,5	
MAX 6X 74/05 + 6C 12,5 HP	11,8	44	55,8	
MAX 6X 74/06 + 6C 15 HP	13,1	47	60,1	
MAX 6X 74/07 + 6C 17,5 HP	14,4	52	66,4	
MAX 6X 74/08 + 6C 20 HP	17,1	59	76,1	
MAX 6X 74/10 + 6C 25 HP	20,9	64	84,9	
MAX 6X 74/12 + 6C 30 HP	23,5	76	99,5	
MAX 6X 74/14 + 6C 35 HP	26,5	80	106,5	







# X-Power project



## EXPLORING WARRANTIES AND PRODUCT LIABILITY

The guarantee starts from the date shown on the proof of purchase (receipt, invoice).

For every malfunctioning product, the customer's or the retailer's must contact us to arrange the intervention of an authorized technician; or it must proceed with the withdrawal for checking the status of the product.

In case of warranty validation, the costs of collection, verification and Return of the product are free for the customer.

The materials must be strictly accompanied by a receipt or invoice, otherwise the check must be excluded.

The Direction

Elettromek

Customer care: [support@xpowerwaterpumps.com](mailto:support@xpowerwaterpumps.com)





**Authorized dealer**