

# MAX 6 WATERCOOLED



**X-POWER**  
**WATER PUMPS**

# X-Power project

On the top of our project, there is the custode:

He must be sure to buy a guaranteed product.  
We advise, follow, and assist the customer before and after the sale.

Our dealers share the goal of working offering the best solutions on the market.

X-Power stands for reliability.

We only offer innovative products and reliable, that find wide acceptance in diy stores, in hardware and in heating & plumbing shops.

On the basis of our brand, there is also the support of professional sellers:

Thanks to the experience and expertise of our team, we provide a high service quality!







**6C water cooled submersible motor**



**efficient  
resistant  
guaranteed  
ecological**

[www.xpowerwaterpumps.com](http://www.xpowerwaterpumps.com)



**Submersible pumps with stainless steel jacket**

**stainless steel**



**[www.xpowerwaterpumps.com](http://www.xpowerwaterpumps.com)**

# Water Cooled 6C motor

## Advantages

- Retractable motor
- Hygiene
- High resistance
- Easy maintenance
- High durability
- Stainless steel



# MAX 6 submersible pump



# X-Power MAX 6 submersible pumps

## Description

The X-Power Max 6 submersible pumps are technically advanced products. The use of the best materials, the construction techniques and the strict testing, guarantee the realization of an electric pump suitable for heavy use.

The X-power MAX 6 Watercooled submersible pumps are used for pumping water from wells. Thanks to their characteristics, these submersible pumps are widely used in aqueducts, and agricultural or industrial applications. They are also ideal in many other sectors where it is necessary to guarantee maximum operating reliability.

Their construction allows easy maintenance, thanks also to the mounting system with opposing impellers.

The reinforced thrust system of the engine, and the use of self-lubricating components to water, and that of the chrome bushes, allow the use H24.

The installation of MAX 6 pumps with submersible motors 6C gives the motor part a high resistance to stray currents. Moreover, with this union it is possible to install under a head of water up to 150 meters.

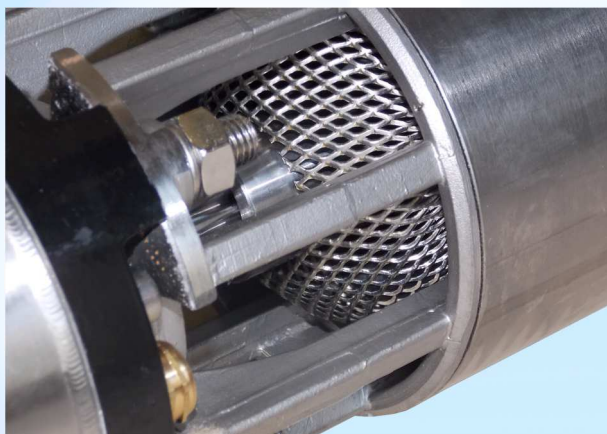
The 6C watercooled x-power submersible motors are environmentally friendly and characterized by high durability and electrical resistance. Unlike oil-cooled motors, water cooled motors do not require the use of substances harmful to the environment.

Designed to work in continuous service (24 hours a day), they maintain unaltered the efficiency, performance, and durability.

The operating characteristics are guaranteed according to the ISO9906 Upgrade two regulations.



## Detail of the suction





# X-Power MAX 6 submersible pumps

## Advantages of the range

### **Ecological**

(water cooled electric motor)

### **Working H24**

Designed to work 24 hours a day (365 days a year)

### **Resistant**

(anti-wear chrome bush)

### **Efficient**

(high efficiency electric motor)

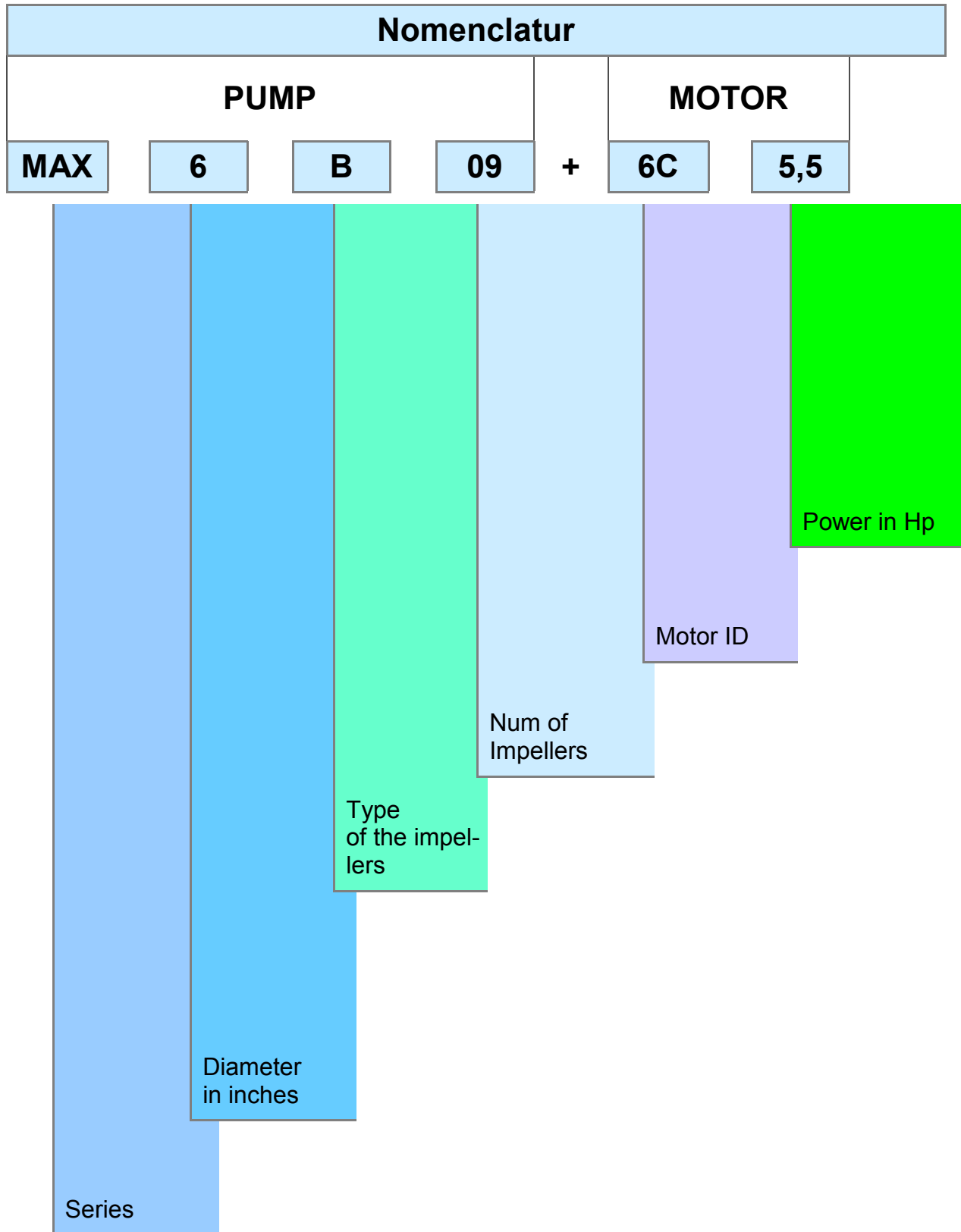
### **Guaranteed**

(3-year warranty on the hydraulics)



# X-Power MAX 6 submersible pumps


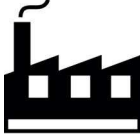







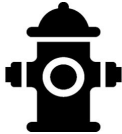
## Nomenclatur



# X-Power MAX 6 submersible pumps

## Possible applications

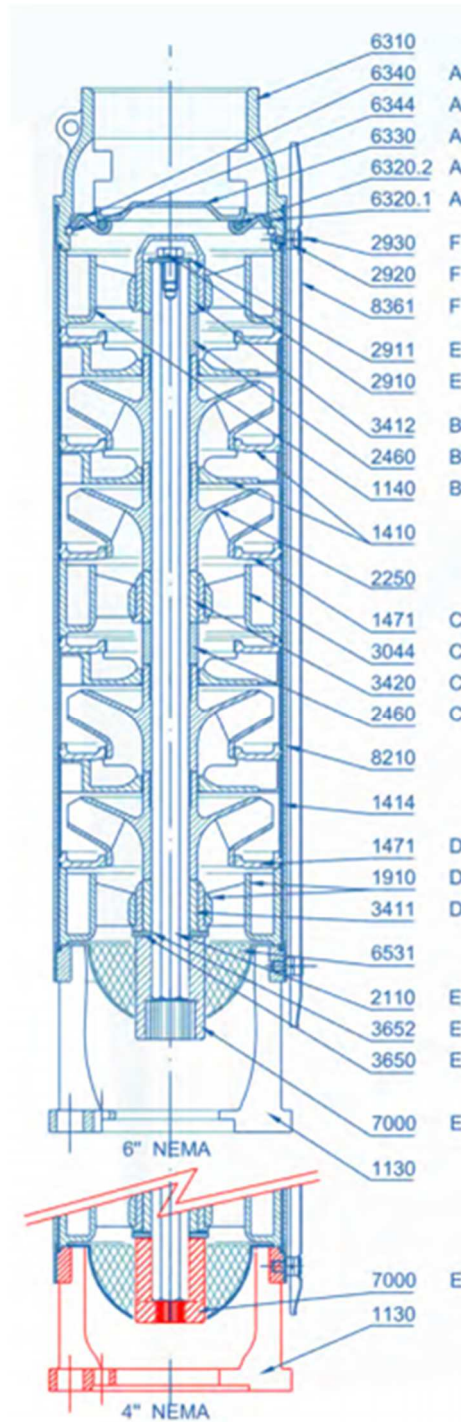


Applications	
	Aqueducts
	Industry
	Agriculture
	Floriculture
	Food service
	Hospital
	Car washing
	Chemical industry
	Extractive sector
	Fire prevention system



# X-Power MAX 6 submersible pumps

## Exploded view of the hydraulics



# X-Power MAX 6 submersible pumps

## Legend

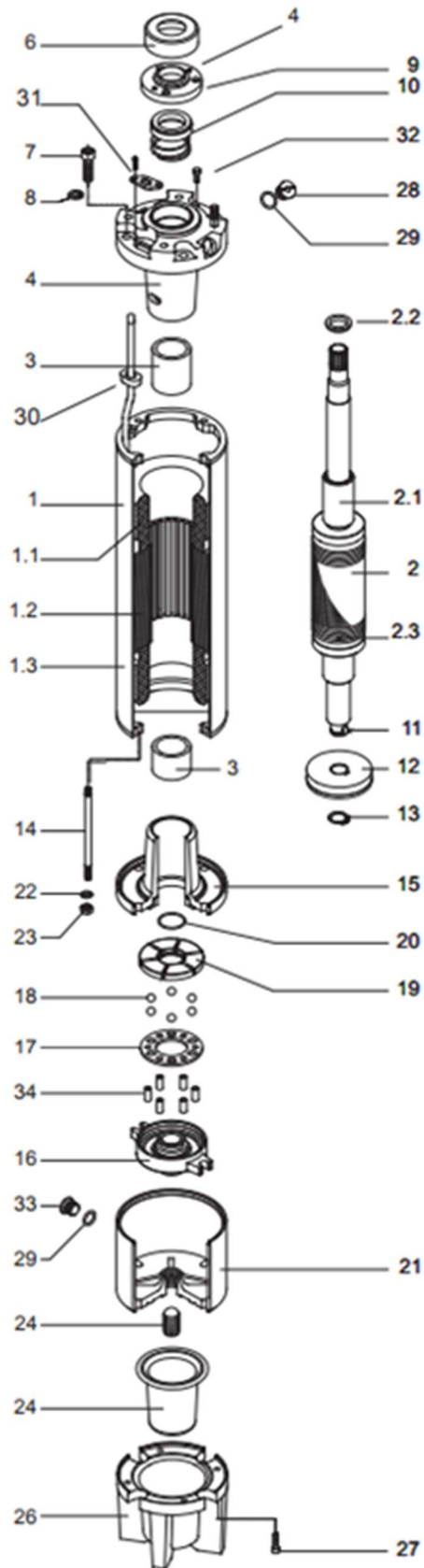
N°	Description	Material
<b>KIT A (VALVE)</b>		
6320.1	O-ring	NBR
6320.2	O-ring	NBR
6330	Shutter	AISI 304 SS stainless steel
6340	Shutter support	AISI 304 SS stainless steel
6344	Seeger	AISI 304 SS stainless steel
<b>KIT B (UPPER SUPPORT)</b>		
1140	Upper support	PPO+PA
2460	Spacer bush	PPO
3412	Support bush	AISI 316L stainless steel
<b>KIT C (INTERMEDIATE SUPPORT)</b>		
1471	Disk	PPO+AISI304 stainless steel
2460	Spacer bush	PPO
3044	Intermediate support	PPO+PA
3420	Support bush	AISI 316L stainless steel
<b>KIT D (LOWER SUPPORT)</b>		
1471	DiscK	PPO+ AISI304 stainless steel
1910	Lower support	PPO+PA
3411	Support bush	AISI 316L stainless steel
<b>KIT E (SHAFT)</b>		
2110	Shaft	AISI 420 stainless steel
2910	Screw	AISI 304 SS stainless steel
2911	Washer	AISI 304 SS stainless steel
3650	Shoulder washer	AISI 304 SS stainless steel
3652	Spacer	PA
7000	Joint	AISI 420 stainless steel
<b>KIT F (CABLE COVER)</b>		
2920	Screw	AISI 304 SS stainless steel
2930	Clip	AISI 304 SS stainless steel
8361	Cable cover	AISI 304 SS stainless steel
<b>OTHER COMPONENTS SUPPLIED IN SEPARATE PARTS</b>		
1130	Suction	AISI 304 SS stainless steel
1410	Diffusor	PPO+AISI304 stainless steel
1414	Spacer tube	AISI 304 SS stainless steel
2250	Impeller	PPO
6310	Valve body	AISI 304 SS stainless steel
6310.1	Valve body	AISI 304 SS stainless steel
6531	Grid	AISI 304 SS stainless steel
8210	External tube	AISI 304 SS stainless steel

# MAX X



# 6C submersible motor watercooled

## Motor exploded view





# 6C submersible motor watercooled

## Legend

N°	Description	Materials
1	Stator	-
1.1	Cable of coil	PVC-PP
1.2	Stator pack	M350 Ferromagnetic
1.3	Stator cover	AISI 304 stainless steel
2	Rotor	-
2.1	Stator bush	ST37 (Cr-Ni)
2.2	Balancing ring	ST37
2.3	Ring	Copper
3	Radial bush	Coal
4	Support	GG20 spheroidal cast iron
5	Bush	Bronze
6	Cover against sand	Bronze
7	Hexagon head screw	NBR/EPDM
8	Ring	Copper
9	Hermetic lid	AISI 420 stainless steel
10	Seal	Ceramics / coal
11	Axial shaft seal	AISI 420 stainless steel
12	Axial seal	Coal /antimony
13	Sealing ring	ST37
14	Threaded rod	AISI 304 stainless steel
15	Lower support body	GG20 Spheroidal cast iron
16	Support	GG20 Spheroidal cast iron
17	Thrust	ST37 coated with chrome
18	Sphere	Treated stainless steel
19	Skids	AISI 420 stainless steel
20	O-Ring	NBR 70
21	Support	GG20 Spheroidal cast iron
22	Ring	Copper
23	Nut	AISI 316 stainless steel
24	Screw	AISI 316 stainless steel
25	Gasket	NBR/EPDM
26	Gasket seal	GG20 Spheroidal cast iron
27	Hexagonal socket	AISI 304 stainless steel
28	Valve	Bronze
29	O-Ring	NBR 70
30	Cable gland	NBR
31	Hermetic lid	AISI 304 stainless steel
32	Nut	AISI 316 stainless steel
33	3/8" screw	Bronze
34	Sphere	Treated stainless steel

# 6C



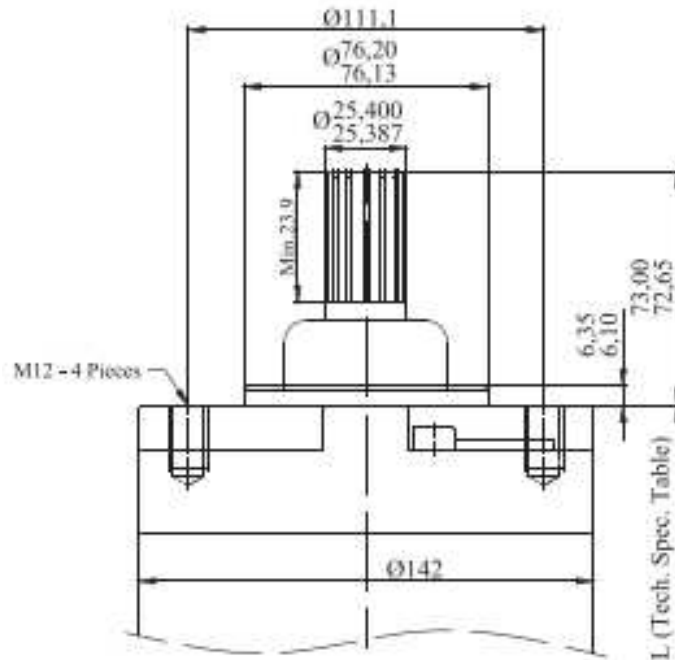
# 6C watercooled submersible motors

## Motor components

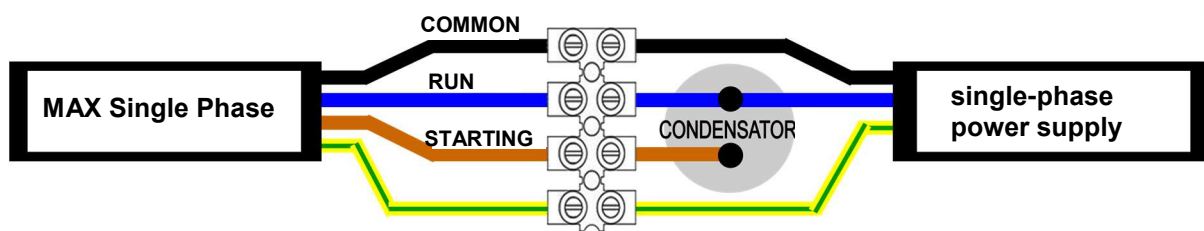
Image	Description
	Heavy duty bearings have a high pushing capacity and offer the possibility to rotate on both sides. They have an higher thrust-load capacity.
	The radial bearings in carbon thanks to their channels allow a perfect lubrication and a better sliding on the axis.
	The chromed bushings for bearings have a great importance in supporting rotor thrust.
	The anti-sand resistant mechanical seal system provides the protection class of IP68; This optional system is used to prevent the motor from sand and other solids, and therefore it guarantees a long service life to the bearings.
	The control valve balances pressure changes within the motor. When the pressure increases, it pushes the water out of the motor. When the pressure decreases, it filters the water inside and makes it enter the motor.
	The power cord is easy to assemble and remove. The connection of the power cable to the motor is made by the cable gasket and the seal cover.
	The slinger (or para sand) is the first protection of the motor from sand. It helps prevent sand from entering the mechanical seal inside the motor.
	Thanks to the adjustment screws, the height of the shaft can be precisely adjusted from the base of the thrust bearing.
	The bronze rings provide better operating conditions for the motor. They absorb the Up-Thrust loads thanks to their design and to the channels designed to make the water flow smoothly.
	The membrane gasket minimizes expansion pressure caused by heating of the cooling water inside the motor.

# 6C watercooled submersible motors

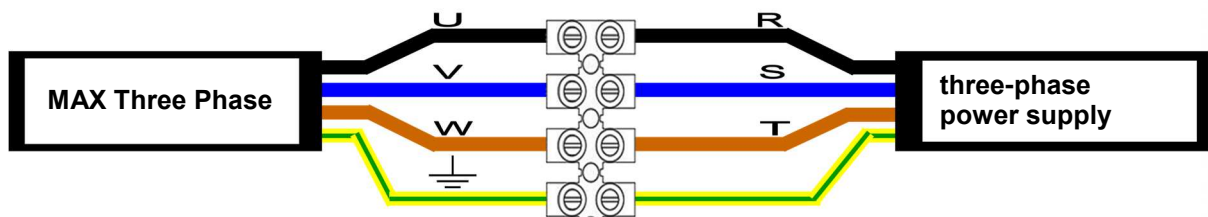
## Standard sizes of 6 " motors



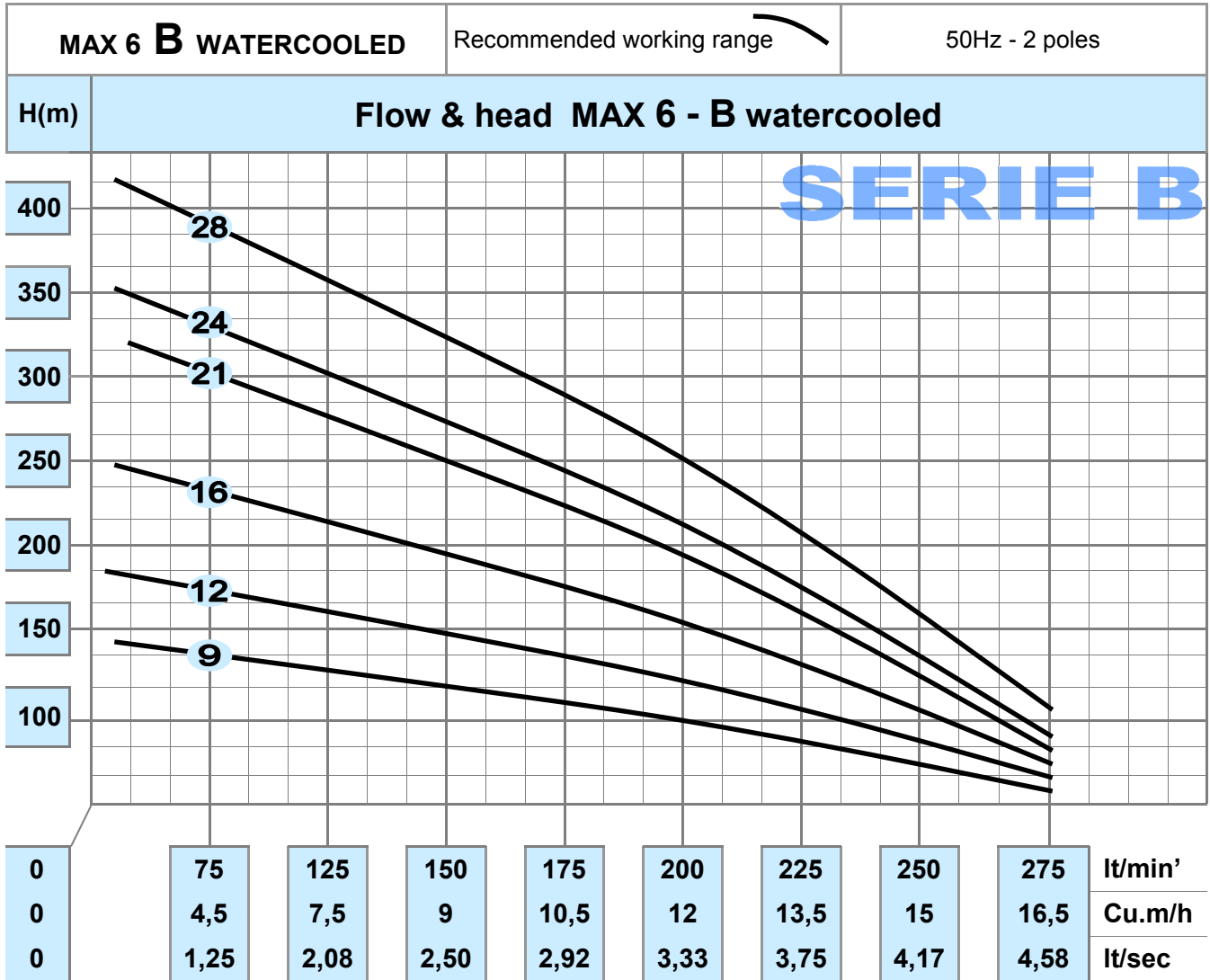
## Electrical connection of single-phase pumps



## Electrical connection of three-phase pumps





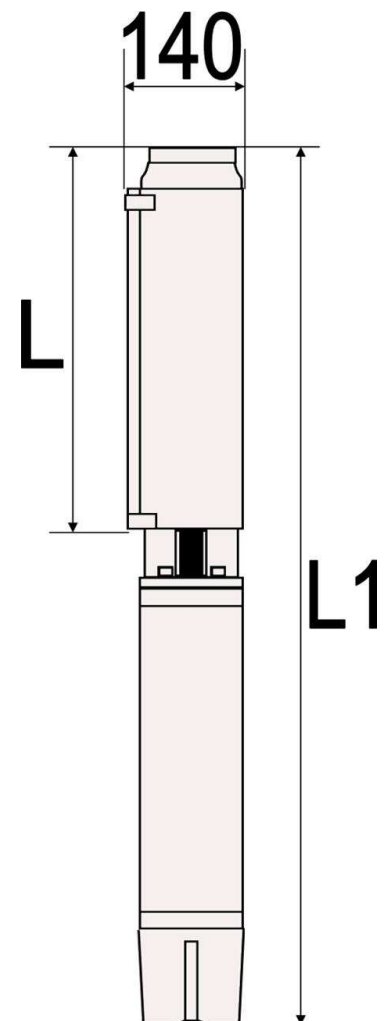


**Table of head and capacity - MAX6 B watercooled**

Model	Hp	L/min' Cu.m/h	H (m)									
			0	75	125	150	175	200	225	250	275	
MAX 6 B/09	5,5		140	126	114	105	95	82	67	48	28	
MAX 6 B/12	7,5		187	169	152	140	127	109	89	65	37	
MAX 6 B/16	10		250	225	202	187	169	146	118	86	50	
MAX 6 B/21	12,5		328	295	266	245	222	192	155	113	65	
MAX 6 B/24	15		374	337	304	280	253	219	178	129	74	
MAX 6 B/28	17,5		437	393	354	327	295	255	207	151	87	

MAX6 B series		Features			watercooled	
Model	Number of impellers	Volts	rpm	Power		Ampere Max (A)
				kW	Hp	
MAX 6 B/09 + 6C 5,5 HP	9	400Vac	2820	4,00	5,50	10,5
MAX 6 B/12 + 6C 7,5 HP	12		2822	5,50	7,50	14,4
MAX 6 B/16 + 6C 10 HP	16		2845	7,50	10,00	19,6
MAX 6 B/21 + 6C 12,5 HP	21		2860	9,20	12,50	23,9
MAX 6 B/24 + 6C 15 HP	24		2830	11,00	15,00	28,6
MAX 6 B/28 + 6C 17,5 HP	28		2820	13,00	17,50	30,4

MAX6 B series		Dimensions		watercooled	
Model	DN (mm)	L (mm)	L1 (mm)	DP (mm)	
MAX 6 B/09 + 6C 5,5 HP	3"	970	1625	140	
MAX 6 B/12 + 6C 7,5 HP		1150	1825		
MAX 6 B/16 + 6C 10 HP		1530	2225		
MAX 6 B/21 + 6C 12,5 HP		1850	2585		
MAX 6 B/24 + 6C 15 HP		2250	3025		
MAX 6 B/28 + 6C 17,5 HP		2570	3395		



MAX6 B series		Weights		watercooled
Model	Pump Kg	Motor Kg	Electric pump Kg	
MAX 6 B/09 + 6C 5,5 HP	14,7	36	50,7	
MAX 6 B/12 + 6C 7,5 HP	18,6	38	56,6	
MAX 6 B/16 + 6C 10 HP	23,8	40	63,8	
MAX 6 B/21 + 6C 12,5 HP	29,1	44	73,1	
MAX 6 B/24 + 6C 15 HP	35,5	47	82,5	
MAX 6 B/28 + 6C 17,5 HP	40,7	52	92,7	

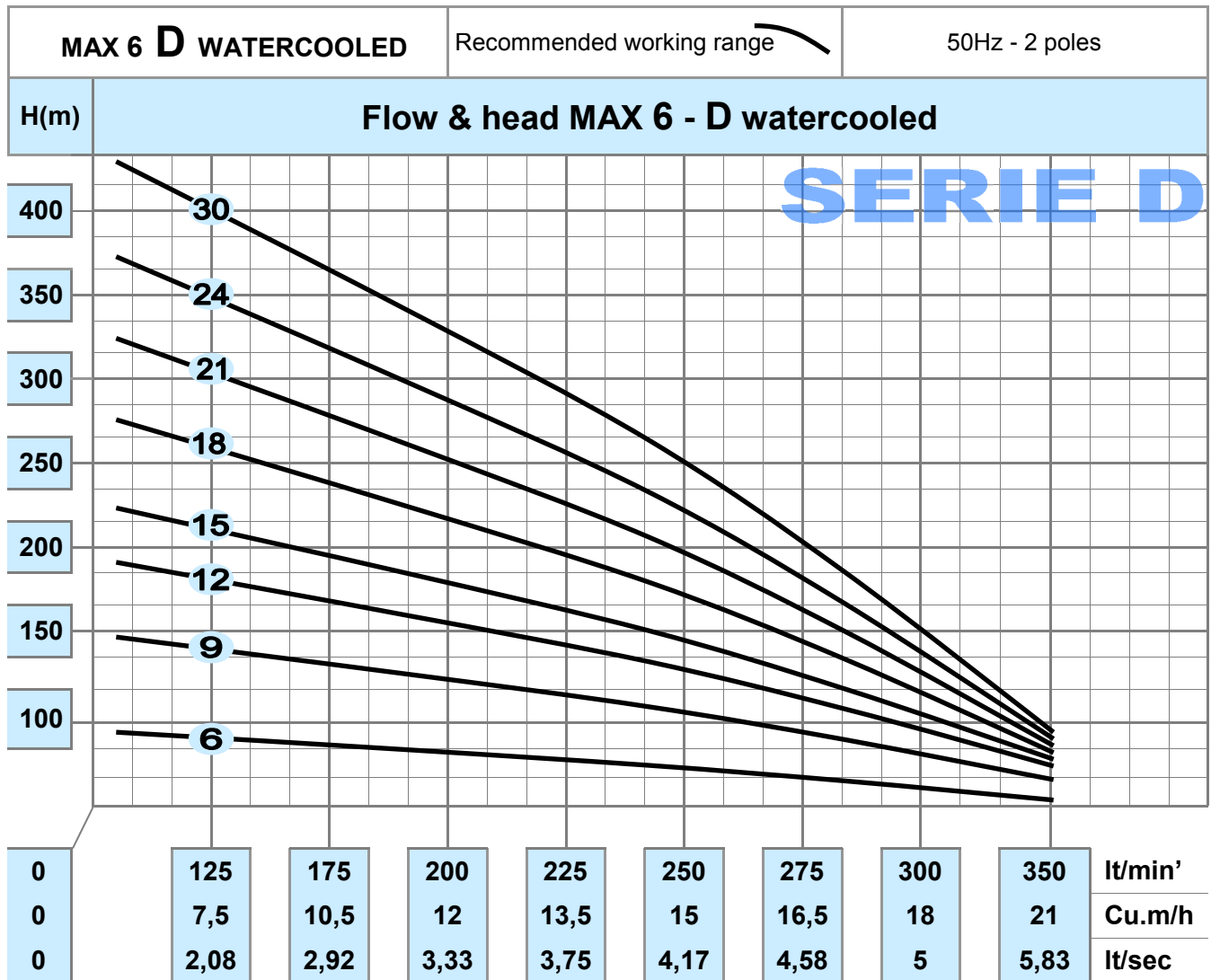
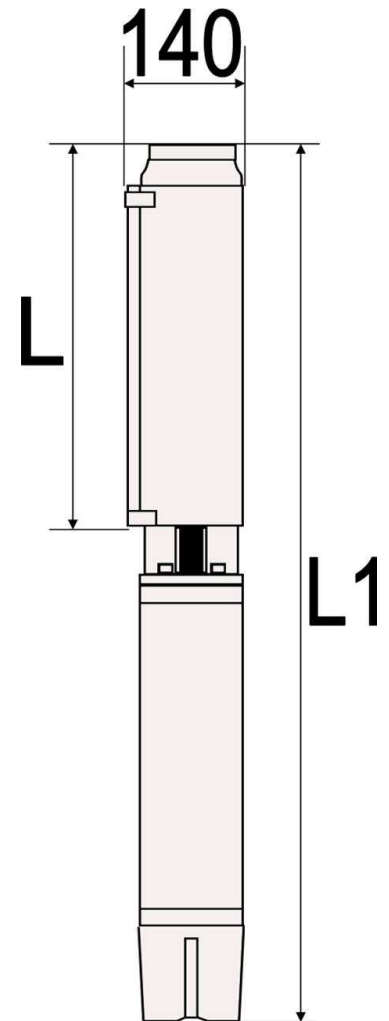


Table of head and capacity - MAX6 D watercooled											
Model	Hp	L/min' Cu.m/h	0	125	175	200	225	250	275	300	350
		H (m)	0	7,5	10,5	12	13,5	15	16,5	18	21
MAX 6 D/06	5,5		94	88	81	76	60	63	54	44	17
MAX 6 D/09	7,5		141	133	122	115	105	94	81	66	26
MAX 6 D/12	10		188	177	163	153	140	125	108	88	35
MAX 6 D/15	12,5		236	221	204	191	175	156	135	110	44
MAX 6 D/18	15		283	265	244	229	210	188	162	131	52
MAX 6 D/21	17,5		330	309	285	267	245	219	189	153	61
MAX 6 D/24	20		377	354	326	306	280	250	216	175	70
MAX 6 D/30	25		471	442	407	382	350	313	269	219	87



MAX6 D series	Features			watercooled		
Model	Number of impellers	Volts	rpm	Power		Ampere Max (A)
				kW	Hp	
MAX 6 D/06 + 6C 5,5 HP	6	400Vac	2820	4,00	5,50	10,5
MAX 6 D/09 + 6C 7,5 HP	9		2822	5,50	7,50	14,4
MAX 6 D/12 + 6C 10 HP	12		2845	7,50	10,00	19,6
MAX 6 D15 + 6C 12,5 HP	15		2860	9,20	12,50	23,9
MAX 6 D/18 + 6C 15 HP	18		2830	11,00	15,00	28,6
MAX 6 D/21 + 6C 17,5 HP	21		2820	13,00	17,50	30,4
MAX 6 D/24 + 6C 20 HP	24		2810	15,00	20,00	36,0
MAX 6 D/30 + 6C 25 HP	30		2810	18,50	25,00	41,1

MAX6 D series	Dimensions		watercooled	
Model	DN (mm)	L (mm)	L1 (mm)	DP (mm)
MAX 6 D/06 + 6C 5,5 HP	3"	516	984	140
MAX 6 D/09 + 6C 7,5 HP		630	1168	
MAX 6 D/12 + 6C 10 HP		744	1428	
MAX 6 D15 + 6C 12,5 HP		858	1582	
MAX 6 D/18 + 6C 15 HP		972	1741	
MAX 6 D/21 + 6C 17,5 HP		1086	1900	
MAX 6 D/24 + 6C 20 HP		1200	2059	
MAX 6 D/30 + 6C 25 HP		1480	2429	



MAX6 D series	Weights		watercooled
Model	Pump Kg	Motor Kg	Electric Pump Kg
MAX 6 D/06 + 6C 5,5 HP	10,5	36	46,5
MAX 6 D/09 + 6C 7,5 HP	12,4	38	50,4
MAX 6 D/12 + 6C 10 HP	14,3	40	54,3
MAX 6 D15 + 6C 12,5 HP	16,3	44	60,3
MAX 6 D/18 + 6C 15 HP	18,2	47	65,3
MAX 6 D/21 + 6C 17,5 HP	22,2	52	74,2
MAX 6 D/24 + 6C 20 HP	24,1	80	104,1
MAX 6 D/30 + 6C 25 HP	28,9	88	116,9

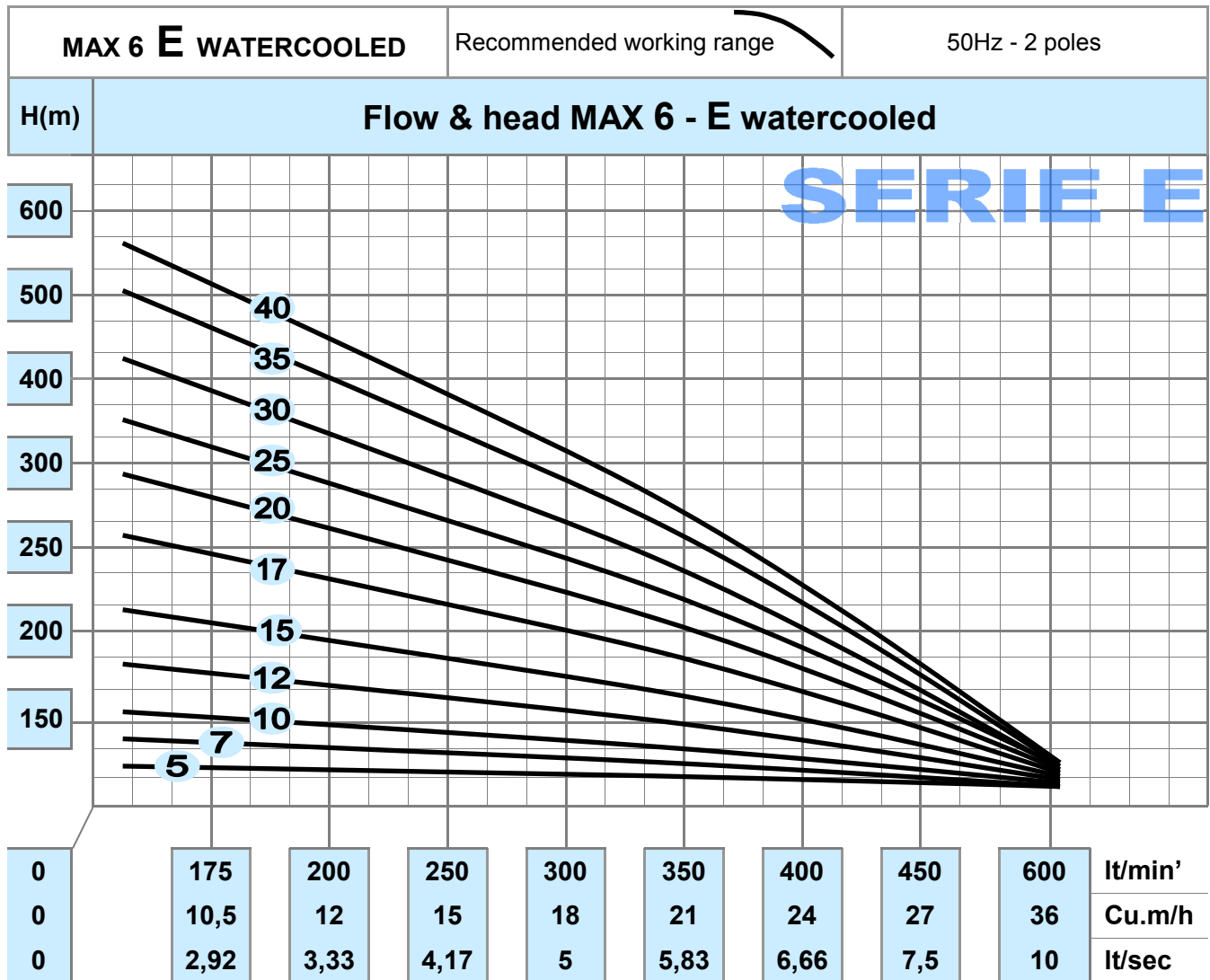
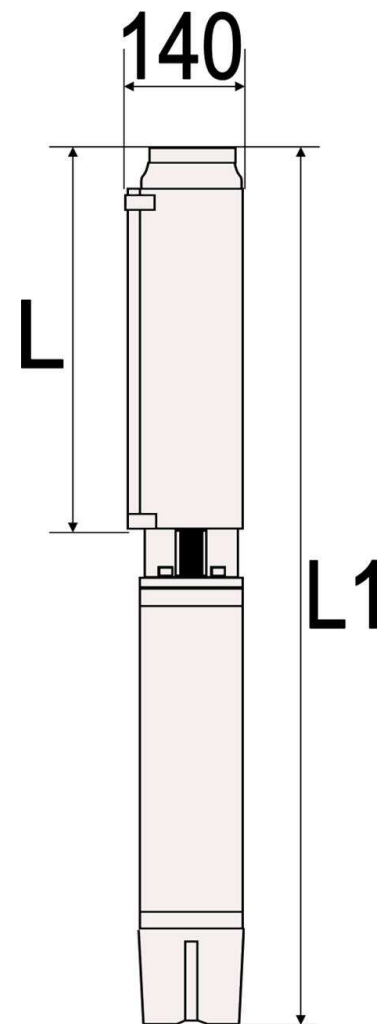


Table of head and capacity - MAX6 E watercooled											
Model	Hp	L/min' Cu.m/h	0	175	200	250	300	350	400	450	600
			0	10,5	12	15	18	21	24	27	36
MAX 6 E/05	5,5	H (m)	70	61	59	55	50	45	39	32	9
MAX 6 E/07	7,5		110	96	88	82	78	72	63	52	12
MAX 6 E/10	10		140	122	118	110	100	89	77	64	18
MAX 6 E/12	12,5		172	144	136	130	120	112	99	89	23
MAX 6 E/15	15		210	183	177	164	150	134	116	96	27
MAX 6 E/17	17,5		254	216	199	180	170	152	131	110	31
MAX 6 E/20	20		280	244	236	219	200	178	154	128	36
MAX 6 E/25	25		350	305	296	274	250	223	193	160	45
MAX 6 E/30	30		420	366	355	329	300	268	232	192	54
MAX 6 E/35	35		490	427	414	383	350	312	270	224	63
MAX 6 E/40	40		560	488	473	438	400	357	309	256	72

MAX6 E series		Features		watercooled		
Model	Number of impellers	Volts	rpm	Power		Ampere Max (A)
				kW	Hp	
MAX 6 E/05 + 6C 5,5 HP	5	400Vac	2820	4,00	5,50	10,5
MAX 6 E/07 + 6C 7,5 HP	7		2822	5,50	7,50	14,4
MAX 6 E/10 + 6C 10 HP	10		2845	7,50	10,00	19,6
MAX 6 E/12 + 6C 12,5 HP	12		2860	9,20	12,50	23,9
MAX 6 E/15 + 6C 15 HP	15		2830	11,00	15,00	28,6
MAX 6 E/17 + 6C 17,5 HP	17		2820	13,00	17,50	30,4
MAX 6 E/20 + 6C 20 HP	20		2810	15,00	20,00	36,0
MAX 6 E/25 + 6C 25 HP	25		2810	18,50	25,00	41,1
MAX 6 E/30 + 6C 30 HP	30		2805	22,00	30,00	47,2
MAX 6 E/35 + 6C 35 HP	35		2800	26,00	35,00	57,9
MAX 6 E/40 + 6C 40 HP	40		2790	30,00	40,00	62,3

MAX6 E series		Dimensions		watercooled	
Model	DN (mm)	L (mm)	L1 (mm)	DP (mm)	
MAX 6 E/05 + 6C 5,5 HP	3"	573	1041	140	
MAX 6 E/07 + 6C 7,5 HP		630	1168		
MAX 6 E/10 + 6C 10 HP		744	1628		
MAX 6 E/12 + 6C 12,5 HP		962	1882		
MAX 6 E/15 + 6C 15 HP		1120	1941		
MAX 6 E/17 + 6C 17,5 HP		1278	2100		
MAX 6 E/20 + 6C 20 HP		1410	2339		
MAX 6 E/25 + 6C 25 HP		1760	2713		
MAX 6 E/30 + 6C 30 HP		2187	3221		
MAX 6 E/35 + 6C 35 HP		2472	3601		
MAX 6 E/40 + 6C 40 HP		2861	4030		

MAX6 E series		Weights		watercooled
Model	Pump Kg	Motor Kg	Electric Pump Kg	
MAX 6 E/05 + 6C 5,5 HP	11,5	36	47,5	
MAX 6 E/07 + 6C 7,5 HP	14,4	38	52,4	
MAX 6 E/10 + 6C 10 HP	17,3	40	57,3	
MAX 6 E/12 + 6C 12,5 HP	18,3	44	62,3	
MAX 6 E/15 + 6C 15 HP	22,2	47	69,2	
MAX 6 E/17 + 6C 17,5 HP	26,2	52	78,2	
MAX 6 E/20 + 6C 20 HP	29,1	80	109,1	
MAX 6 E/25 + 6C 25 HP	34,9	88	122,9	
MAX 6 E/30 + 6C 30 HP	40,2	90	130,2	
MAX 6 E/35 + 6C 35 HP	52,5	94	146,5	
MAX 6 E/40 + 6C 40 HP	62,5	98	160,5	





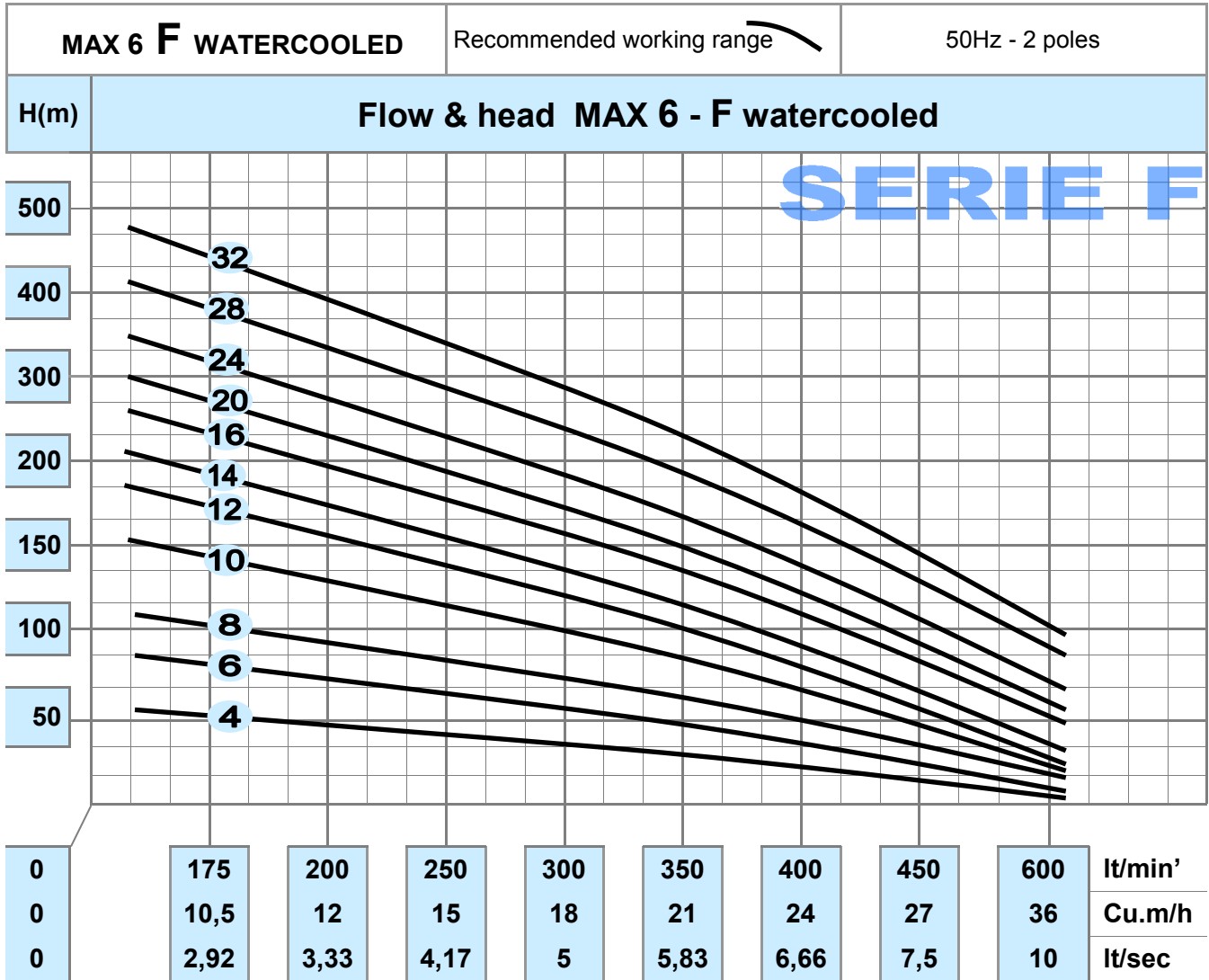
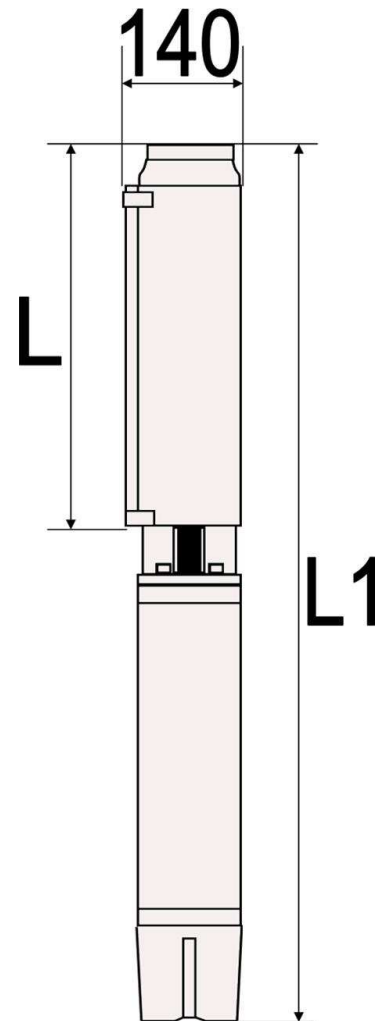


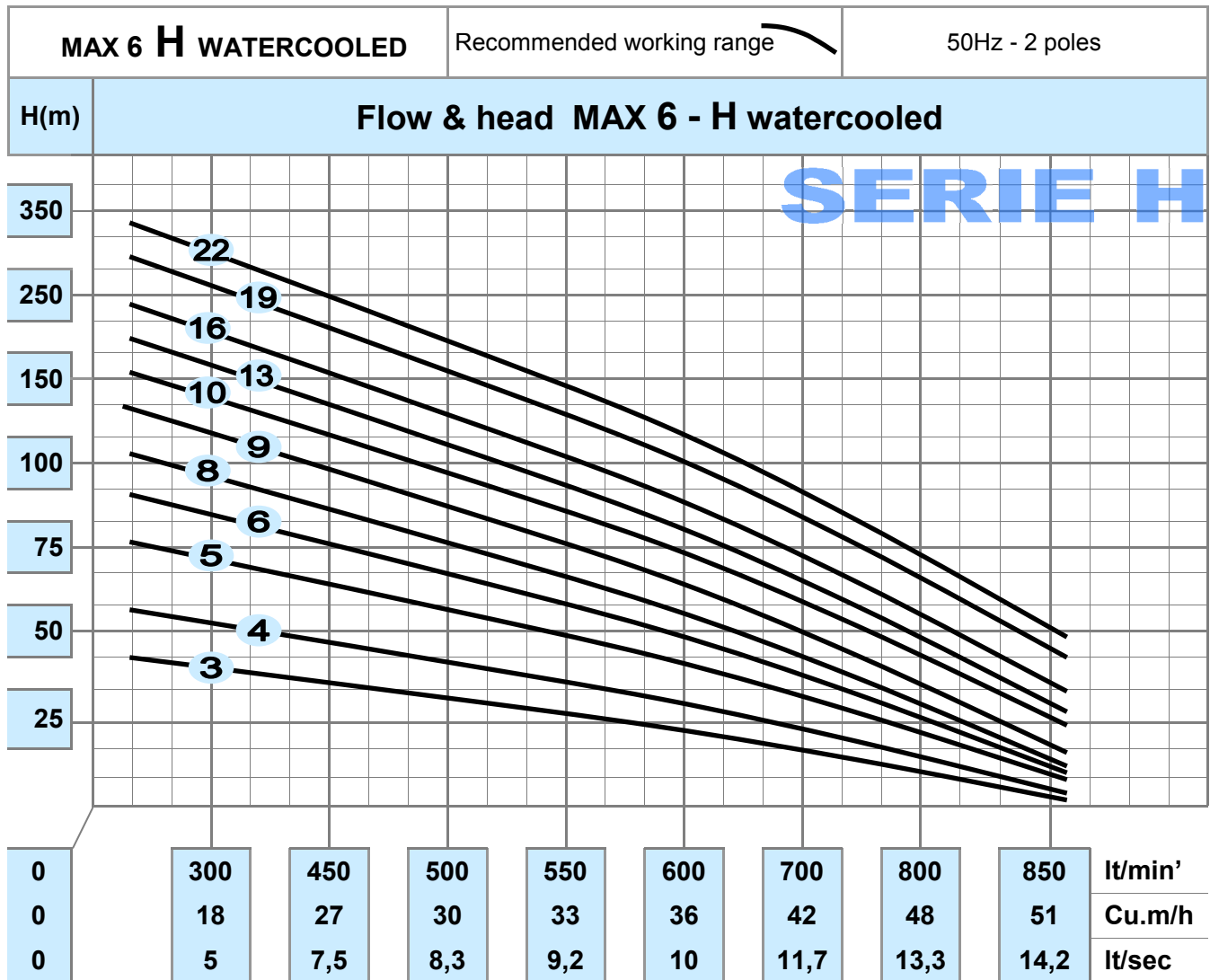
Table of head and capacity - MAX6 F watercooled											
Model	Hp	L/min' Cu.m/h	0	175	200	250	300	350	400	450	600
			0	10,5	12	15	18	21	24	27	36
MAX 6 F/04	5,5	H (m)	61	55	52	47	45	43	39	27	13
MAX 6 F/06	7,5		92	83	77	70	68	65	58	41	20
MAX 6 F/08	10		122	111	103	94	90	86	77	55	27
MAX 6 F/10	12,5		153	139	129	117	113	108	97	69	34
MAX 6 F/12	15		184	166	155	141	135	129	116	82	40
MAX 6 F/14	17,5		214	194	180	164	158	151	135	96	47
MAX 6 F/16	20		245	222	206	187	180	172	154	110	54
MAX 6 F/20	25		306	277	258	234	225	215	193	137	67
MAX 6 F/24	30		367	332	309	281	270	258	232	164	81
MAX 6 F/28	35		428	388	361	328	315	301	270	192	94
MAX 6 F/32	40		490	443	412	375	360	344	309	219	108

MAX6 F series		Features			watercooled	
Model	Number of impellers	Volts	rpm	Power		Ampere Max (A)
				kW	Hp	
MAX 6 F/04 + 6C 5,5 HP	4	400Vac	2820	4,00	5,50	10,5
MAX 6 F/06 + 6C 7,5 HP	6		2822	5,50	7,50	14,4
MAX 6 F/08 + 6C 10 HP	8		2845	7,50	10,00	19,6
MAX 6 F/10 + 6C 12,5 HP	10		2860	9,20	12,50	23,9
MAX 6 F/12 + 6C 15 HP	12		2830	11,00	15,00	28,6
MAX 6 F/14 + 6C 17,5 HP	14		2820	13,00	17,50	30,4
MAX 6 F/16 + 6C 20 HP	16		2810	15,00	20,00	36,0
MAX 6 F/20 + 6C 25 HP	20		2810	18,50	25,00	41,1
MAX 6 F/24 + 6C 30 HP	24		2805	22,00	30,00	47,2
MAX 6 F/28 + 6C 35 HP	28		2800	26,00	35,00	57,9
MAX 6 F/32 + 6C 40 HP	32		2790	30,00	40,00	62,3

MAX6 F series	Dimensions		watercooled	
Model	DN (mm)	L (mm)	L1 (mm)	DP (mm)
MAX 6 F/04 + 6C 5,5 HP	3"	516	984	140
MAX 6 F/06 + 6C 7,5 HP		630	1168	
MAX 6 F/08 + 6C 10 HP		744	1428	
MAX 6 F/10 + 6C 12,5 HP		962	1582	
MAX 6 F/12 + 6C 15 HP		1090	1741	
MAX 6 F/14 + 6C 17,5 HP		1108	1900	
MAX 6 F/16 + 6C 20 HP		1210	2059	
MAX 6 F/20 + 6C 25 HP		1460	2429	
MAX 6 F/24 + 6C 30 HP		1706	2741	
MAX 6 F/28 + 6C 35 HP		2070	3202	
MAX 6 F/32 + 6C 40 HP		2301	3470	

MAX6 F series	Weights		watercooled
Model	Pump Kg	Motor Kg	Electric Pump Kg
MAX 6 F/04 + 6C 5,5 HP	11	36	47
MAX 6 F/06 + 6C 7,5 HP	13	38	51
MAX 6 F/08 + 6C 10 HP	15	40	55
MAX 6 F/10 + 6C 12,5 HP	17	44	61
MAX 6 F/12 + 6C 15 HP	19	47	66
MAX 6 F/14 + 6C 17,5 HP	22	52	74
MAX 6 F/16 + 6C 20 HP	23	80	103
MAX 6 F/20 + 6C 25 HP	28	88	116
MAX 6 F/24 + 6C 30 HP	32	90	122
MAX 6 F/28 + 6C 35 HP	47	94	141
MAX 6 F/32 + 6C 40 HP	51	98	149





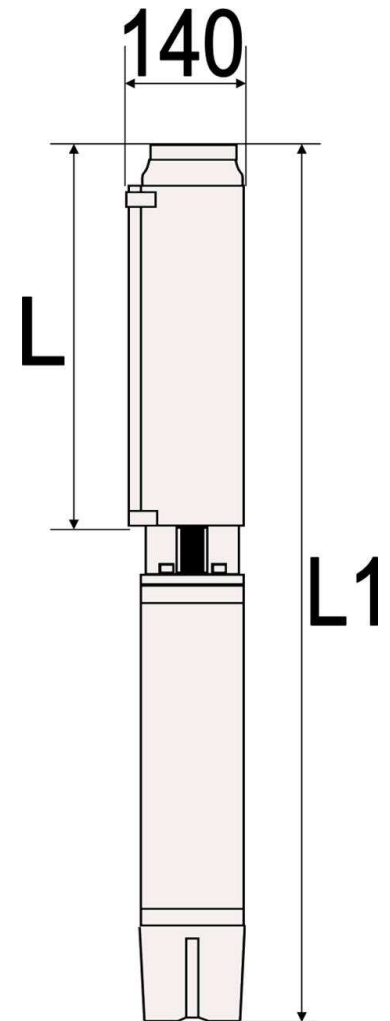
**Table of head and capacity - MAX6 H watercooled**

Model	Hp	L/min' Cu.m/h	0	300	450	500	550	600	700	800	850
			0	18	27	30	33	36	42	48	51
MAX 6 H/03	5,5	H (m)	47	42	37	35	32	28	20	10	4
MAX 6 H/04	7,5		62	55	49	46	42	38	26	13	6
MAX 6 H/05	10		78	69	62	58	53	47	33	17	7
MAX 6 H/06	12,5		93	83	74	70	64	57	39	20	8
MAX 6 H/08	15		124	111	99	93	85	76	53	26	11
MAX 6 H/09	17,5		140	125	111	104	96	85	59	30	13
MAX 6 H/10	20		155	139	124	116	106	95	66	33	14
MAX 6 H/13	25		202	180	161	151	138	123	86	43	18
MAX 6 H/16	30		248	222	198	186	170	151	105	53	22
MAX 6 H/19	35		295	264	235	220	202	180	125	63	27
MAX 6 H/22	40		341	305	272	255	234	208	145	73	31

MAX6 H series		Features		watercooled		
Model	Number of impellers	Volts	rpm	Power		Ampere Max (A)
				kW	Hp	
MAX 6 H/03 + 6C 5,5 HP	3	400Vac	2820	4,00	5,50	10,5
MAX 6 H/04 + 6C 7,5 HP	4		2822	5,50	7,50	14,4
MAX 6 H/05 + 6C 10 HP	5		2845	7,50	10,00	19,6
MAX 6 H/06 + 6C 12,5 HP	6		2860	9,20	12,50	23,9
MAX 6 H/08 + 6C 15 HP	8		2830	11,00	15,00	28,6
MAX 6 H/09 + 6C 17,5 HP	9		2820	13,00	17,50	30,4
MAX 6 H/10 + 6C 20 HP	10		2810	15,00	20,00	36,0
MAX 6 H/13 + 6C 25 HP	13		2810	18,50	25,00	41,1
MAX 6 H/16 + 6C 30 HP	16		2805	22,00	30,00	47,2
MAX 6 H/19 + 6C 35 HP	19		2800	26,00	35,00	57,9
MAX 6 H/22 + 6C 40 HP	22		2790	30,00	40,00	62,3

MAX6 H series		Dimensions		watercooled	
Model	DN (mm)	L (mm)	L1 (mm)	DP (mm)	
MAX 6 H/03 + 6C 5,5 HP	3"	468	936	140	
MAX 6 H/04 + 6C 7,5 HP		528	1066		
MAX 6 H/05 + 6C 10 HP		588	1272		
MAX 6 H/06 + 6C 12,5 HP		648	1372		
MAX 6 H/08 + 6C 15 HP		768	1537		
MAX 6 H/09 + 6C 17,5 HP		828	1642		
MAX 6 H/10 + 6C 20 HP		888	1747		
MAX 6 H/13 + 6C 25 HP		1068	2017		
MAX 6 H/16 + 6C 30 HP		1248	2282		
MAX 6 H/19 + 6C 35 HP		1480	2609		
MAX 6 H/22 + 6C 40 HP		1670	2829		

MAX6 H series		Weights		watercooled	
Model	Pump Kg	Motor Kg	Electric Pump Kg		
MAX 6 H/03 + 6C 5,5 HP	25	36	61		
MAX 6 H/04 + 6C 7,5 HP	29	38	67		
MAX 6 H/05 + 6C 10 HP	68	40	108		
MAX 6 H/06 + 6C 12,5 HP	74	44	118		
MAX 6 H/08 + 6C 15 HP	81	47	128		
MAX 6 H/09 + 6C 17,5 HP	87	52	139		
MAX 6 H/10 + 6C 20 HP	92	80	172		
MAX 6 H/13 + 6C 25 HP	106	88	194		
MAX 6 H/16 + 6C 30 HP	118	90	208		
MAX 6 H/19 + 6C 35 HP	134	94	228		
MAX 6 H/22 + 6C 40 HP	141	98	239		





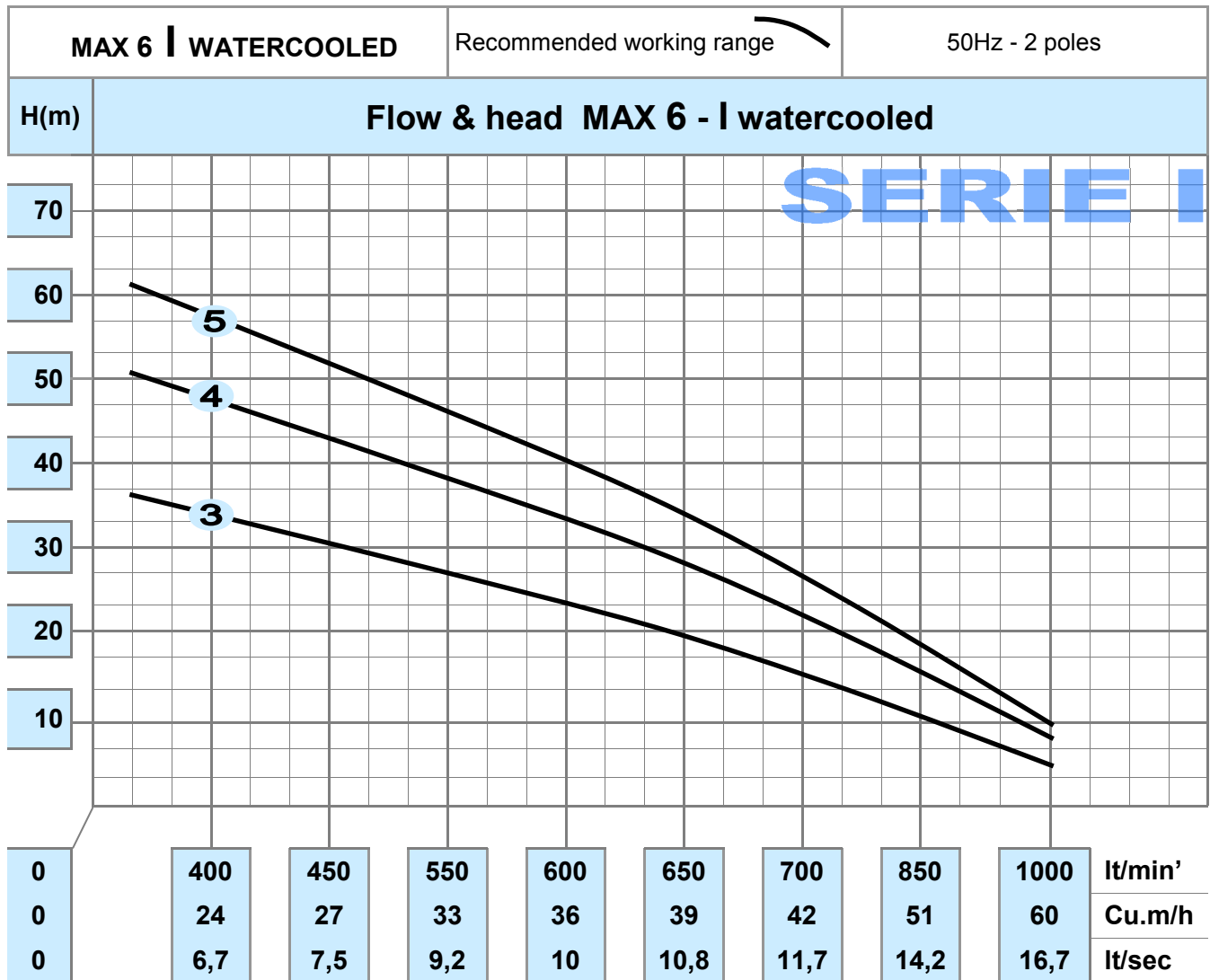
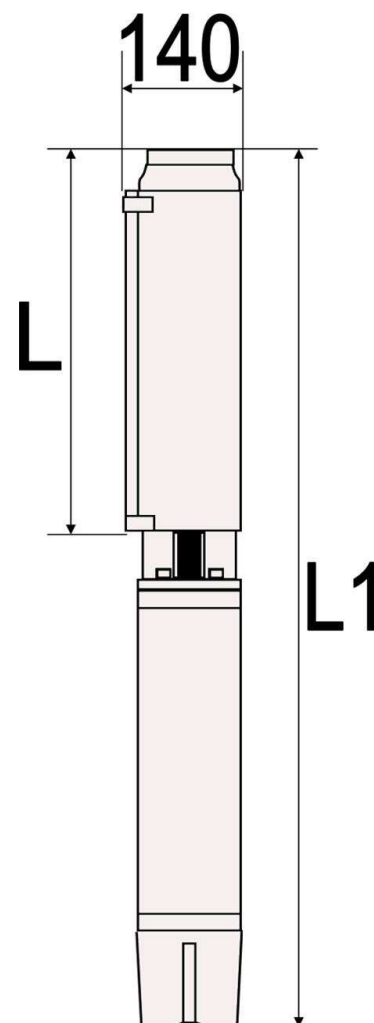


Table of head and capacity - MAX6 I watercooled											
Model	Hp	L/min' Cu.m/h	0	400	450	550	600	650	700	850	1000
			0	450	27	33	36	39	42	51	60
MAX 6 I/03	5,5	H (m)	38	32	30	26	24	22	20	13	6
MAX 6 I/04	7,5		51	42	40	34	32	29	26	17	8
MAX 6 I/05	10		64	53	50	43	40	36	33	22	11

MAX6 I series	Features			watercooled		
Model	Number of impellers	Volts	rpm	Power		Ampere Max (A)
				kW	Hp	
MAX 6 I/03 + 6C 5,5 HP	3	400Vac	2820	4,00	5,50	10,5
MAX 6 I/04 + 6C 7,5 HP	4		2822	5,50	7,50	14,4
MAX 6 I/05 + 6C 10 HP	5		2845	7,50	10,00	19,6

MAX6 I series	Dimensions		watercooled	
Model	DN (mm)	L (mm)	L1 (mm)	DP (mm)
MAX 6 I/03 + 6C 5,5 HP	3"	468	936	140
MAX 6 I/04 + 6C 7,5 HP		528	1066	
MAX 6 I/05 + 6C 10 HP		588	1272	

MAX6 I series	Weights			watercooled
Model	Pump Kg	Motor Kg	Electric Pump Kg	
MAX 6 I/03 + 6C 5,5 HP	10	36	46	
MAX 6 I/04 + 6C 7,5 HP	11	38	49	
MAX 6 I/05 + 6C 10 HP	12	40	52	



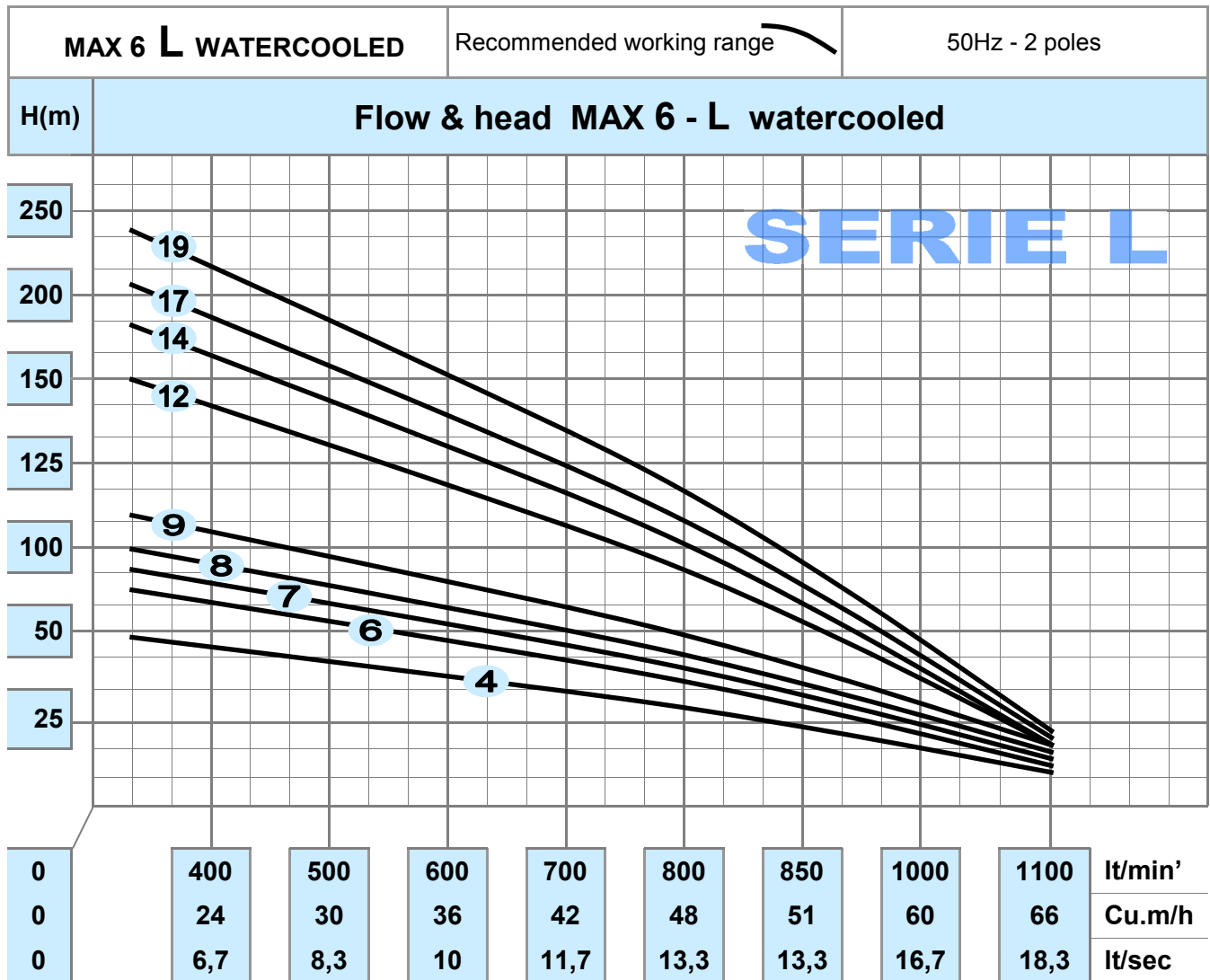
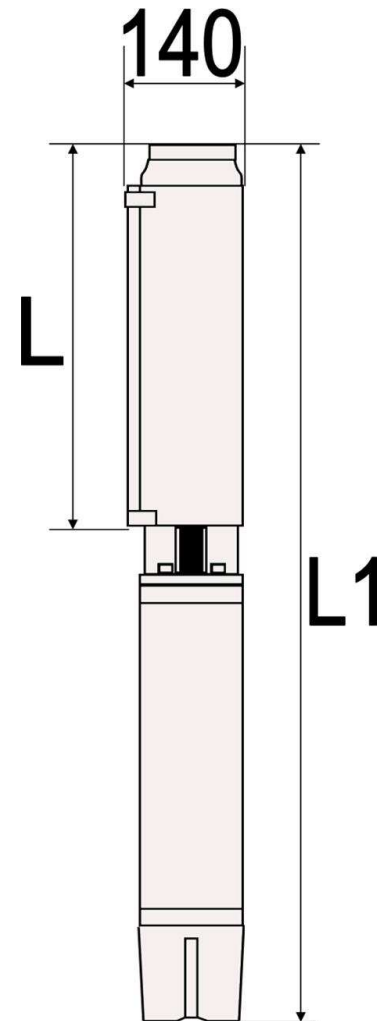


Table of head and capacity - MAX6 L watercooled											
Model	Hp	L/min' Cu.m/h	0	400	500	600	700	800	900	1000	1100
			0	24	30	36	42	48	54	60	66
MAX 6 L/04	10	H (m)	52	47	42	36	31	26	21	14	6
MAX 6 L/06	12,5		77	70	63	54	46	39	32	21	8
MAX 6 L/07	15		90	82	74	63	54	46	37	25	10
MAX 6 L/08	17,5		103	93	84	72	61	53	43	28	12
MAX 6 L/09	20		116	105	95	81	69	59	48	32	14
MAX 6 L/12	25		155	140	126	107	92	79	64	42	16
MAX 6 L/14	30		181	163	147	125	108	92	74	49	18
MAX 6 L/17	35		219	198	179	152	131	112	90	60	19
MAX 6 L/19	40		245	221	200	170	146	125	101	67	21

MAX6 L series		Features		watercooled		
Model	Number of impellers	Volts	rpm	Power		Ampere Max (A)
				kW	Hp	
MAX 6 L/04 + 6C 10 HP	4	400Vac	2820	4,00	5,50	10,5
MAX 6 L/06 + 6C 12,5 HP	6		2822	5,50	7,50	14,4
MAX 6 L/07 + 6C 15 HP	7		2845	7,50	10,00	19,6
MAX 6 L/08 + 6C 17,5 HP	8		2860	9,20	12,50	23,9
MAX 6 L/09 + 6C 20 HP	9		2830	11,00	15,00	28,6
MAX 6 L/12 + 6C 25 HP	12		2820	13,00	17,50	30,4
MAX 6 L/14 + 6C 30 HP	14		2810	15,00	20,00	36,0
MAX 6 L/17 + 6C 35 HP	17		2810	18,50	25,00	41,1
MAX 6 L/19 + 6C 40 HP	19		2805	22,00	30,00	47,2

MAX6 L series	Dimensions		watercooled	
Model	DN (mm)	L (mm)	L1 (mm)	DP (mm)
MAX 6 L/04 + 6C 10 HP	3"	528	1212	140
MAX 6 L/06 + 6C 12,5 HP		648	1372	
MAX 6 L/07 + 6C 15 HP		708	1477	
MAX 6 L/08 + 6C 17,5 HP		768	1583	
MAX 6 L/09 + 6C 20 HP		828	1689	
MAX 6 L/12 + 6C 25 HP		1008	1960	
MAX 6 L/14 + 6C 30 HP		1128	2162	
MAX 6 L/17 + 6C 35 HP		1310	2430	
MAX 6 L/19 + 6C 40 HP		1480	2640	



MAX6 L series	Weights		watercooled
Model	Pump Kg	Motor Kg	Electric pump Kg
MAX 6 L/04 + 6C 10 HP	10	40	50
MAX 6 L/06 + 6C 12,5 HP	12	44	56
MAX 6 L/07 + 6C 15 HP	13	47	60
MAX 6 L/08 + 6C 17,5 HP	15	52	67
MAX 6 L/09 + 6C 20 HP	17	80	97
MAX 6 L/12 + 6C 25 HP	19	88	107
MAX 6 L/14 + 6C 30 HP	22	90	112
MAX 6 L/17 + 6C 35 HP	24	94	118
MAX 6 L/19 + 6C 40 HP	26	98	124





# X-Power project



## EXPLORING WARRANTIES AND PRODUCT LIABILITY

The guarantee starts from the date shown on the proof of purchase (receipt, invoice).

For every malfunctioning product, the customer's or the retailer's must contact us to arrange the intervention of an authorized technician; or it must proceed with the withdrawal for checking the status of the product.

In case of warranty validation, the costs of collection, verification and Return of the product are free for the customer.

The materials must be strictly accompanied by a receipt or invoice, otherwise the check must be excluded.

The Direction

Elettromek

Customer care: [support@xpowerwaterpumps.com](mailto:support@xpowerwaterpumps.com)





**Authorized dealer**